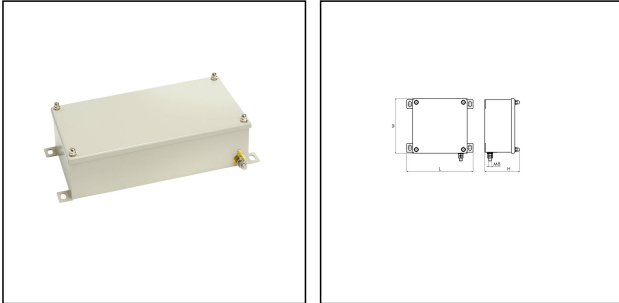


IBS 151508

IBS Industry boxes system 190x156x100mm, stainless steel



Products may differ in size, colour and appearance to those shown. If you require further information or customisation, please contact us directly.

| | |
|----------------------------------|---|
| WISKA-Order no. | 10074202 |
| Type | IBS 151508 |
| Protection class | IP66 / IP67 |
| Material | Stainless steel 1.4301 (V2A) |
| Mounting hole space | 172x125mm |
| External dimensions LxWxH | 190x156x100 mm |
| Internal dimensions LxWxH | 130x130x77 mm |
| Mounting | Surface mounting |
| Temp. range min | -40 °C |
| Temp. range max | 120 °C |
| Equipment | none |
| Terminals/poles | None |
| Operational areas | Outdoor, Indoor work space, Engine room |
| Colour | RAL 7032 |
| Weight | 1,37 kg |
| Equipment | Empty and undrilled |
| Variations | on request |
| Tariff number | 85369010 |

Remarks:

- Earthing bolts inside and outside
- Indestructible allround cover seal
- Protection specification acc. to EN 50102 (external mechanical impacts): IK 08

Spare parts

Your Contact:

WISKA Hoppmann GmbH

Kisdorfer Weg 28 · 24568 Kaltenkirchen · Germany

☎ +49-4191-508-0 · 📠 +49-4191-508-209

contact@wiska.de · www.wiska.com

12.05.2026

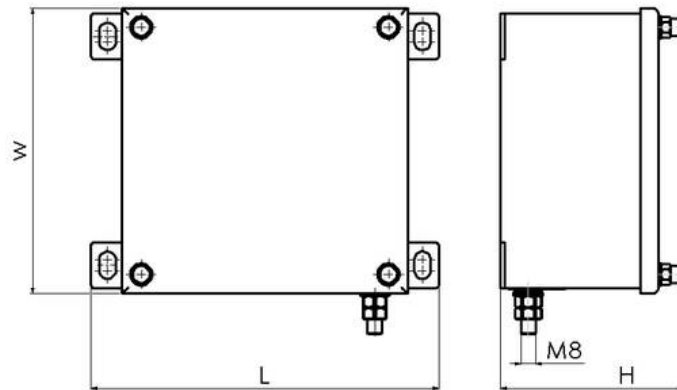
Your Contact:

WISKA Hoppmann GmbH

Kisdorfer Weg 28 · 24568 Kaltenkirchen · Germany

 +49-4191-508-0 ·  +49-4191-508-209

contact@wiska.de · www.wiska.com



Your Contact:

WISKA Hoppmann GmbH

Kisdorfer Weg 28 · 24568 Kaltenkirchen · Germany

☎ +49-4191-508-0 · 📠 +49-4191-508-209

contact@wiska.de · www.wiska.com