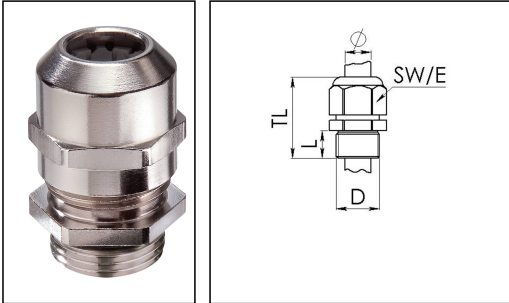


PMSKV 11-16

Cable gland, brass nickel-plated, Pg 11



Products may differ in size, colour and appearance to those shown. If you require further information or customisation, please contact us directly.



| | |
|---------------------------------|---------------------------|
| Material cable gland | Brass nickel-plated |
| Material clamping cage | Polyamide |
| Material sealing gasket | EPDM |
| Temp. range min | -40 °C |
| Temp. range max | 100 °C |
| Protection class | IP69, IP68 (5 bar 30 min) |
| Thread type | PG |
| Ø Connection thread D | 11 |
| Length screw-in thread L | 6 mm |
| Ø cable diameter min | 4,5 mm |
| Ø cable diameter max | 10 mm |
| Key width SW | 22 mm |
| Collar diameter (E) | 24 mm |
| Total length TL | 27 mm - 35 mm |
| Type of cable anchorage | A |
| Install. torques fitting | 4 N m |
| Install. torques cap nut | 4 N m |
| Impact category | 6 |
| Surface | Nickel-plated |
| Order no. nickel-plated | 10100683 |
| Packing unit | 50 |
| Type | PMSKV 11-16 |
| Tariff number | 74198090 |
| EAN number | 4007685007115 |
| ETIM-Classification | EC000441 |

Your Contact:

WISKA Hoppmann GmbH

Kisdorfer Weg 28 · 24568 Kaltenkirchen · Germany

☎ +49-4191-508-0 · 📠 +49-4191-508-209

contact@wiska.de · www.wiska.com

Recommended accessories

| | |
|----------------------|----------|
| MMU 11 | 10062143 |
| BS 10 | 10064008 |
| MFD 16/02/040 | 10064393 |
| MFD 16/03/021 | 10101014 |

12.05.2026

Your Contact:

WISKA Hoppmann GmbH

Kisdorfer Weg 28 · 24568 Kaltenkirchen · Germany

 +49-4191-508-0 ·  +49-4191-508-209

contact@wiska.de · www.wiska.com



Your Contact:

WISKA Hoppmann GmbH

Kisdorfer Weg 28 · 24568 Kaltenkirchen · Germany

☎ +49-4191-508-0 · 📠 +49-4191-508-209

contact@wiska.de · www.wiska.com