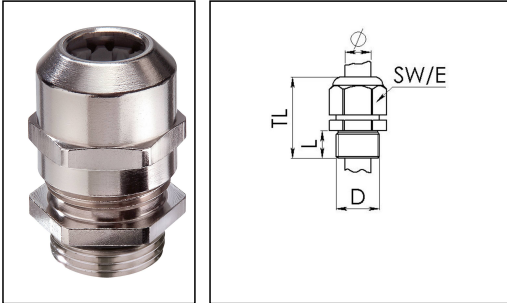


## PMSKV 21-25

Cable gland, brass nickel-plated, Pg 21



Products may differ in size, colour and appearance to those shown. If you require further information or customisation, please contact us directly.



|                                 |                           |
|---------------------------------|---------------------------|
| <b>Material cable gland</b>     | Brass nickel-plated       |
| <b>Material clamping cage</b>   | Polyamide                 |
| <b>Material sealing gasket</b>  | EPDM                      |
| <b>Temp. range min</b>          | -40 °C                    |
| <b>Temp. range max</b>          | 100 °C                    |
| <b>Protection class</b>         | IP69, IP68 (5 bar 30 min) |
| <b>Thread type</b>              | PG                        |
| <b>Ø Connection thread D</b>    | 21                        |
| <b>Length screw-in thread L</b> | 7 mm                      |
| <b>Ø cable diameter min</b>     | 9 mm                      |
| <b>Ø cable diameter max</b>     | 17 mm                     |
| <b>Key width SW</b>             | 36 mm                     |
| <b>Collar diameter (E)</b>      | 40 mm                     |
| <b>Total length TL</b>          | 33 mm - 42 mm             |
| <b>Type of cable anchorage</b>  | A                         |
| <b>Install. torques fitting</b> | 10 N m                    |
| <b>Install. torques cap nut</b> | 10 N m                    |
| <b>Impact category</b>          | 6                         |
| <b>Surface</b>                  | Nickel-plated             |
| <b>Order no. nickel-plated</b>  | 10100688                  |
| <b>Packing unit</b>             | 50                        |
| <b>Type</b>                     | PMSKV 21-25               |
| <b>Tariff number</b>            | 74198090                  |
| <b>EAN number</b>               | 4007685007160             |
| <b>ETIM-Classification</b>      | EC000441                  |

Your Contact:

WISKA Hoppmann GmbH

Kisdorfer Weg 28 · 24568 Kaltenkirchen · Germany

☎ +49-4191-508-0 · 📠 +49-4191-508-209

contact@wiska.de · www.wiska.com

## Recommended accessories

|                      |          |
|----------------------|----------|
| MFD 25/02/060        | 10060452 |
| MFD 25/02/080        | 10060952 |
| MFD 25/01/065        | 10060954 |
| MMU 21               | 10062146 |
| MFD 25/02/070        | 10063995 |
| BS 17                | 10064012 |
| MFD 25/03/070        | 10064342 |
| MFD 25/04/060        | 10064343 |
| MFD 25/01/090        | 10101016 |
| MFD 25/01/105-01/055 | 10101255 |
| MFD 25/05/056        | 10102023 |

12.05.2026

Your Contact:

**WISKA Hoppmann GmbH**

Kisdorfer Weg 28 · 24568 Kaltenkirchen · Germany

☎ +49-4191-508-0 · 📠 +49-4191-508-209

contact@wiska.de · www.wiska.com



Your Contact:

**WISKA Hoppmann GmbH**

Kisdorfer Weg 28 · 24568 Kaltenkirchen · Germany

☎ +49-4191-508-0 · 📠 +49-4191-508-209

contact@wiska.de · www.wiska.com