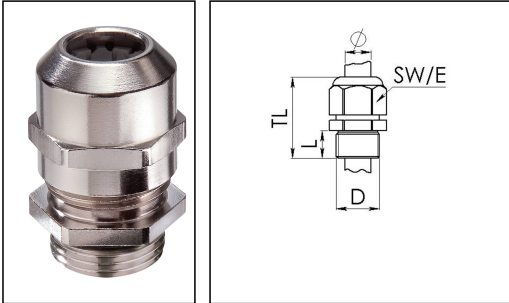


PMSKV 48-63

Cable gland, brass nickel-plated, Pg 48



Products may differ in size, colour and appearance to those shown. If you require further information or customisation, please contact us directly.



| | |
|---------------------------------|---------------------------|
| Material cable gland | Brass nickel-plated |
| Material clamping cage | Polyamide |
| Material sealing gasket | EPDM |
| Temp. range min | -40 °C |
| Temp. range max | 100 °C |
| Protection class | IP68 (5 bar 30 min), IP69 |
| Thread type | PG |
| Ø Connection thread D | 48 |
| Length screw-in thread L | 10 mm |
| Ø cable diameter min | 34 mm |
| Ø cable diameter max | 48 mm |
| Key width SW | 68 mm |
| Collar diameter (E) | 75 mm |
| Total length TL | 56 mm - 67 mm |
| Type of cable anchorage | A |
| Install. torques fitting | 40 N m |
| Install. torques cap nut | 40 N m |
| Impact category | 6 |
| Surface | Nickel-plated |
| Order no. nickel-plated | 10100693 |
| Packing unit | 10 |
| Type | PMSKV 48-63 |
| Tariff number | 74198090 |
| EAN number | 4007685007214 |
| ETIM-Classification | EC000441 |

Your Contact:

WISKA Hoppmann GmbH

Kisdorfer Weg 28 · 24568 Kaltenkirchen · Germany

☎ +49-4191-508-0 · 📠 +49-4191-508-209

contact@wiska.de · www.wiska.com

Recommended accessories

| | |
|-------------------------------------------|----------|
| MMU 48 | 10062150 |
| BS 48 | 10064019 |
| MFD 63/01/131-01/118-03/084-02/064 | 10101114 |
| MFD 63/03/065 | 10101201 |
| MFD 63/02/065-01/090 | 10101223 |

12.05.2026

Your Contact:

WISKA Hoppmann GmbH

Kisdorfer Weg 28 · 24568 Kaltenkirchen · Germany

 +49-4191-508-0 ·  +49-4191-508-209

contact@wiska.de · www.wiska.com



Your Contact:

WISKA Hoppmann GmbH

Kisdorfer Weg 28 · 24568 Kaltenkirchen · Germany

☎ +49-4191-508-0 · 📠 +49-4191-508-209

contact@wiska.de · www.wiska.com