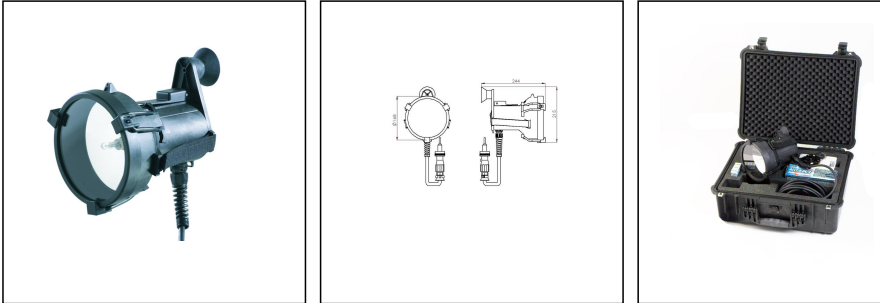


## HML-ISO 35-5-C-W-F00-A01

Day Signalling Searchlight 30W 12V/24V DC, plastic, black



Products may differ in size, colour and appearance to those shown. If you require further information or customisation, please contact us directly.



<b>WISKA-Order no.</b>	10100903
<b>Type</b>	HML-ISO 35-5-C-W-F00-A01
<b>Material</b>	Polyamide, fibre reinforced
<b>Material globe/diffuser</b>	Polycarbonate
<b>Colour</b>	Black
<b>Wattage</b>	30 W
<b>Voltage min. (V)</b>	12 V
<b>Voltage max. (V)</b>	24 V
<b>Type of Voltage</b>	DC
<b>Protection class</b>	IP56
<b>Operational areas</b>	Emergency, Outdoor
<b>Temp. range min</b>	-25 °C
<b>Temp. range max</b>	55 °C
<b>Lightsource</b>	Halogen lamp
<b>Reflector</b>	Glass
<b>Lightsource incl.</b>	Yes
<b>Bulb shape</b>	reflector
<b>Average lamp durability</b>	50 h
<b>Globe colour</b>	Clear
<b>Light performance</b>	immediately
<b>Lampholder</b>	GY6,35
<b>Number of lampholder</b>	1 ST
<b>Material cable gland</b>	Polyamide
<b>Power cable</b>	H07RN-F 2x1,5mm <sup>2</sup>
<b>Ø cable diameter min</b>	6 mm

Your Contact:

**WISKA Hoppmann GmbH**

Kisdorfer Weg 28 · 24568 Kaltenkirchen · Germany

☎ +49-4191-508-0 · 📠 +49-4191-508-209

contact@wiska.de · www.wiska.com

<b>Ø cable diameter max</b>	13 mm
<b>External dimensions LxWxH</b>	160 x 244 x 215 mm
<b>Approval</b>	DNV-GL
<b>Weight</b>	12,3 kg
<b>Equipment</b>	without filter, incl. PowerPack + Charger
<b>Advice</b>	Case
<b>Tariff number</b>	94054910

Remarks:

- Signal range visibility: 4.800m during the day, 21.400m at night

Equipment:

- Toughened front glass
- Rubber sealing
- Quick fastening rubber
- Sighting device
- Micro switch for left- and right hander
- mounted halogen lamp + 3 spare lamps
- Connection cable 5m
- SOS function
- Permanent light function
- Cargo and storage in watertight, IP 67 (1m; 30min) crushproof and dust proof case
- This device is built at least according to requirements of ABS, BV, DNV, GL, LR, PRS

**Recommended accessories**

<b>HML-ISO 35 Extension 5m 2-wire</b>	10013574
<b>SP-HML-ISO 35 Filter, blue</b>	22000467
<b>SP-HML-ISO 35 Filter, green</b>	22000468
<b>SP-HML-ISO 35 Filter, red</b>	22000469

**Spare parts**

<b>SP-HML-ISO 35 Surrounding frame</b>	22000456
<b>SP-HML-ISO 35 Front cover, clear</b>	22000457
<b>SP-HML-ISO 35 Quick release rubber</b>	22000460
<b>SP-HML-ISO 35 Concentric plug 117</b>	22000463
<b>SP-HML-ISO 35 Concentric socket DK 503</b>	22000464
<b>SP-HML-ISO 35 Power Pack</b>	22000465
<b>SP-HML-ISO 35 Charger</b>	22000466
<b>SP-HML-ISO 35 Halogen lamp 30W 12V</b>	22000470

Your Contact:

**WISKA Hoppmann GmbH**  
 Kisdorfer Weg 28 · 24568 Kaltenkirchen · Germany  
 ☎ +49-4191-508-0 · 📠 +49-4191-508-209  
 contact@wiska.de · www.wiska.com

12.05.2026

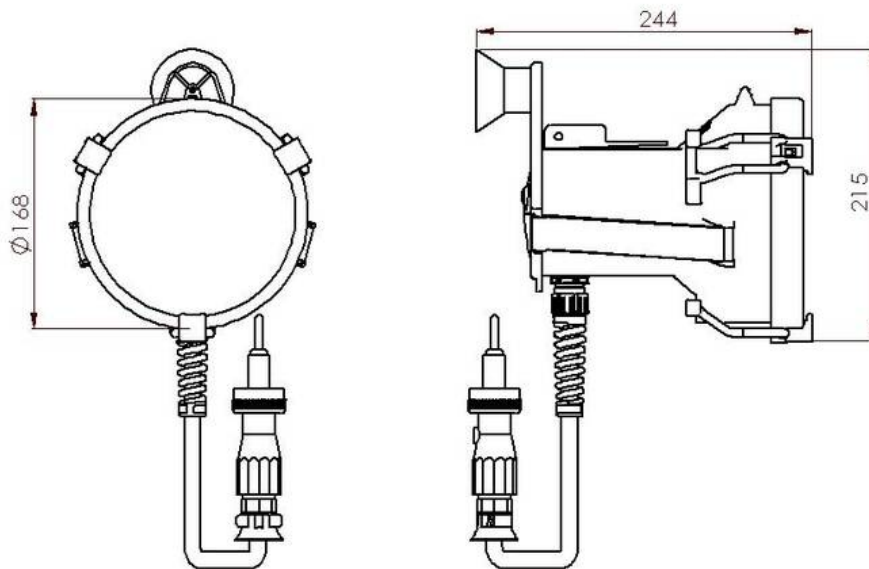
Your Contact:

**WISKA Hoppmann GmbH**

Kisdorfer Weg 28 · 24568 Kaltenkirchen · Germany

☎ +49-4191-508-0 · 📠 +49-4191-508-209

contact@wiska.de · www.wiska.com



Your Contact:

**WISKA Hoppmann GmbH**

Kisdorfer Weg 28 · 24568 Kaltenkirchen · Germany

☎ +49-4191-508-0 · 📠 +49-4191-508-209

contact@wiska.de · www.wiska.com