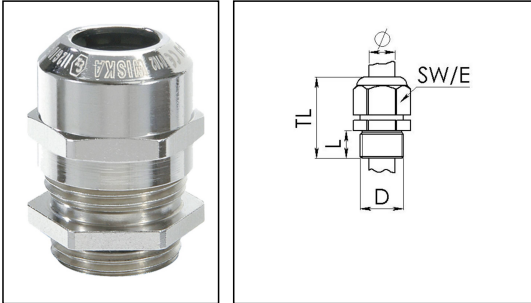


NMSKE 1/4

Ex-cable gland, brass nickel-plated, NPT 1/4"



Products may differ in size, colour and appearance to those shown. If you require further information or customisation, please contact us directly.



| | |
|--------------------------|----------------------------|
| Material cable gland | Brass nickel-plated |
| Material clamping cage | Polyamide |
| Material sealing gasket | EPDM |
| Temp. range min | -40 °C |
| Temp. range max | 75 °C |
| Protection class | IP66 / IP68 (5 bar 30 min) |
| Type of protection | Ex eb, Ex tb |
| Ex-Certificate | ATEX, IECEx |
| Thread type | NPT |
| Ø Connection thread D | 1/4" |
| Length screw-in thread L | 13 mm |
| Ø cable diameter min | 4 mm |
| Ø cable diameter max | 7 mm |
| Key width SW | 16 mm |
| Collar diameter (E) | 18 mm |
| Total length TL | 33 mm - 40 mm |
| Install. torques fitting | 4 N m |
| Install. torques cap nut | 4 N m |
| Surface | Nickel-plated |
| Order no. nickel-plated | 10101082 |
| Type | NMSKE 1/4 |
| Packing unit | 50 |
| Tariff number | 74198090 |
| EAN number | 4007685040815 |
| ETIM-Classification | EC000441 |

Your Contact:

WISKA Hoppmann GmbH

Kisdorfer Weg 28 · 24568 Kaltenkirchen · Germany

☎ +49-4191-508-0 · 📠 +49-4191-508-209

contact@wiska.de · www.wiska.com

Remarks:

When using a locknut NMMU, an additional connection thread gasket ADR must be used to achieve protection class IP66 / IP68.

Recommended accessories

| | |
|-----------------|----------|
| ADR 7 | 10061419 |
| RDE 12 | 10062183 |
| BS 7 | 10064005 |
| NMMU 1/4 | 10100972 |

23.05.2026

Your Contact:

WISKA Hoppmann GmbH

Kisdorfer Weg 28 · 24568 Kaltenkirchen · Germany

☎ +49-4191-508-0 · 📠 +49-4191-508-209

contact@wiska.de · www.wiska.com



Your Contact:

WISKA Hoppmann GmbH

Kisdorfer Weg 28 · 24568 Kaltenkirchen · Germany

☎ +49-4191-508-0 · 📠 +49-4191-508-209

contact@wiska.de · www.wiska.com