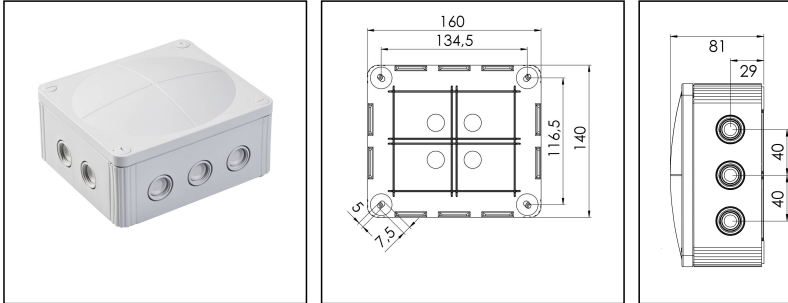



## COMBI 1210/5 LG

Junction box, polypropylene



Products may differ in size, colour and appearance to those shown. If you require further information or customisation, please contact us directly.



|                                     |   |
|-------------------------------------|---|
| <b>Material</b>                     | Polypropylene   |
| <b>Material sealing gasket</b>      | TPE   |
| <b>Temp. range min</b>              | -30 °C  |
| <b>Temp. range max</b>              | 100 °C  |
| <b>Temperatures during install.</b> | -5 °C - 60 °C   |
| <b>Protection class</b>             | IP66 / IP67   |
| <b>Glow wire test</b>               | 750 °C  |
| <b>Voltage</b>                      | 690 V   |
| <b>Rated current / A (Terminal)</b> | 57 A  |
| <b>Rated cross section</b>          | 10 mm <sup>2</sup>  |
| <b>Terminals/poles</b>              | 5-pole, 10,0 mm <sup>2</sup>  |
| <b>Fixing</b>                       | 4 internal openings   |
| <b>Ø cable diameter min</b>         | 3 mm  |
| <b>Ø cable diameter max</b>         | 12 mm   |
| <b>External dimensions LxWxH</b>    | 160 x 140 x 81mm  |
| <b>Using for cable gland</b>        |  |
| <b>Product Color</b>                | RAL 7035  |
| <b>WISKA-Order no.</b>              | 10101462  |
| <b>Type</b>                         | COMBI 1210/5 LG   |
| <b>Packing unit</b>                 | 2   |
| <b>ETIM-Classification</b>          | EC002600  |
| <b>EAN number</b>                   | 4007685016636   |
| <b>Tariff number</b>                | 85369010  |

Remarks:

Your Contact:

**WISKA Hoppmann GmbH**  
Kisdorfer Weg 28 · 24568 Kaltenkirchen · Germany  
☎ +49-4191-508-0 · 📠 +49-4191-508-209  
contact@wiska.de · www.wiska.com

**IP66:** using the membrane entry

**IP67:** using the threaded entry together with ESKV cable gland

**Equipment:**

- 10 M20 threaded membrane entries and M25 knockouts
- 4 membrane cable entries through rear
- 4 captive cover screws
- inclusive terminal block 5-poles, 10mm<sup>2</sup>

**Mounting:**

- 4 internal openings outside of the sealing area

**Recommended accessories**

|  |          |
|--|----------|
| <b>MP-L Mounting plate large COMBI / WHK</b> | 10105775 |
| <b>External mounting - COMBI LG</b>          | 10108836 |
| <b>ZER 4-12 LG</b>                           | 10109800 |

**Spare parts**

|                                   |          |
|-----------------------------------|----------|
| <b>SP-HKT 1010 Terminal block</b> | 22000408 |
|-----------------------------------|----------|

26.06.2026

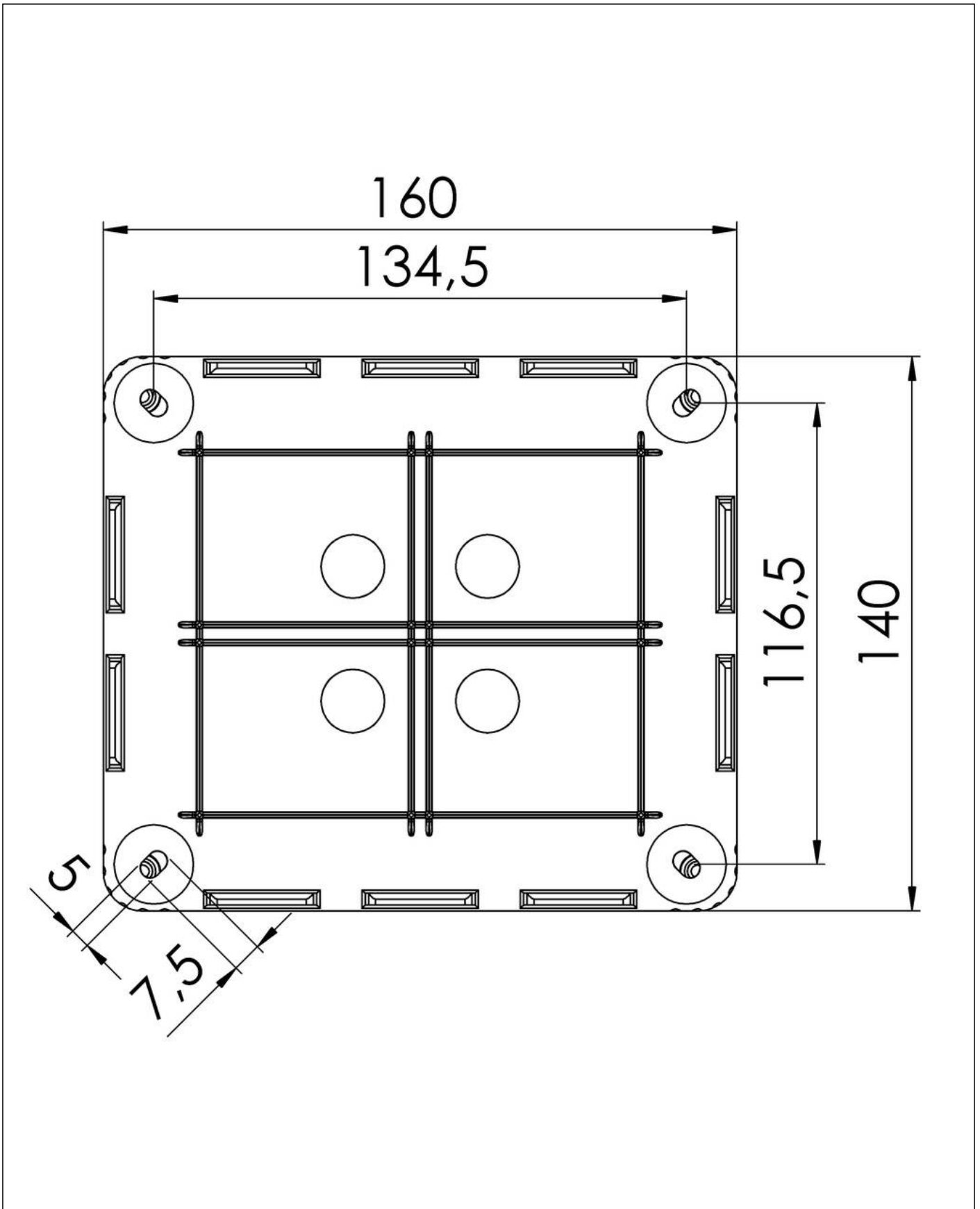
Your Contact:

**WISKA Hoppmann GmbH**

Kisdorfer Weg 28 · 24568 Kaltenkirchen · Germany

☎ +49-4191-508-0 · 📠 +49-4191-508-209

contact@wiska.de · www.wiska.com



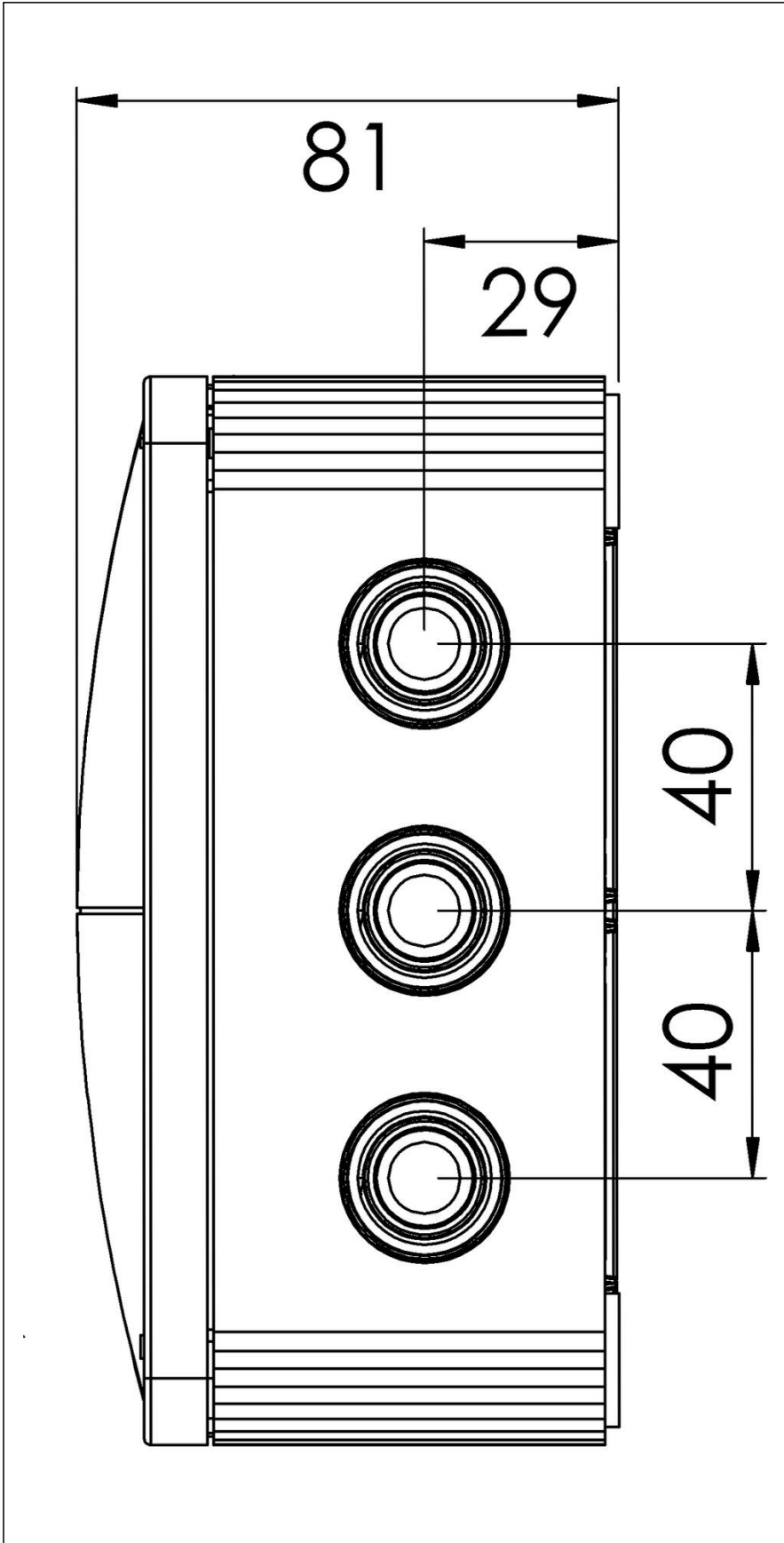
Your Contact:

**WISKA Hoppmann GmbH**

Kisdorfer Weg 28 · 24568 Kaltenkirchen · Germany

☎ +49-4191-508-0 · 📠 +49-4191-508-209

contact@wiska.de · www.wiska.com



Your Contact:

**WISKA Hoppmann GmbH**

Kisdorfer Weg 28 · 24568 Kaltenkirchen · Germany

☎ +49-4191-508-0 · 📠 +49-4191-508-209

contact@wiska.de · www.wiska.com