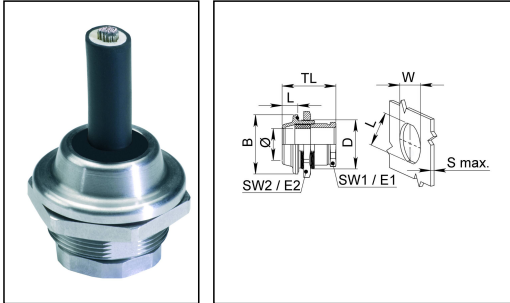


HGSM 12-E pack

Cable gland, stainless steel, M12



Products may differ in size, colour and appearance to those shown. If you require further information or customisation, please contact us directly.



Material cable gland	Stainless steel A2 (1.4305)
Material sealing gasket	EPDM
Temp. range min	-40 °C
Temp. range max	120 °C
Protection class	IP69, IP68 (5 bar 30 min)
Thread type	M
Ø Connection thread D	12
Lead	0,75
Ø cable diameter min	2 mm
Ø cable diameter max	5 mm
Key width SW1	9 mm
Key width SW2	15 mm
Collar diameter E1	10 mm
Collar diameter E2	16 mm
LxWxS (max)	10,5x12x4mm
BxL	17x6mm
Total length TL	15,5 mm - 20,5 mm
Advice	Incl. sealing rings, locknut
WISKA-Order no.	10101853
Type	HGSM 12-E pack
Packing unit	1
Tariff number	73269098
EAN number	4007685041720
ETIM-Classification	EC000441

Your Contact:

WISKA Hoppmann GmbH

Kisdorfer Weg 28 · 24568 Kaltenkirchen · Germany

☎ +49-4191-508-0 · 📠 +49-4191-508-209

contact@wiska.de · www.wiska.com

27.06.2026

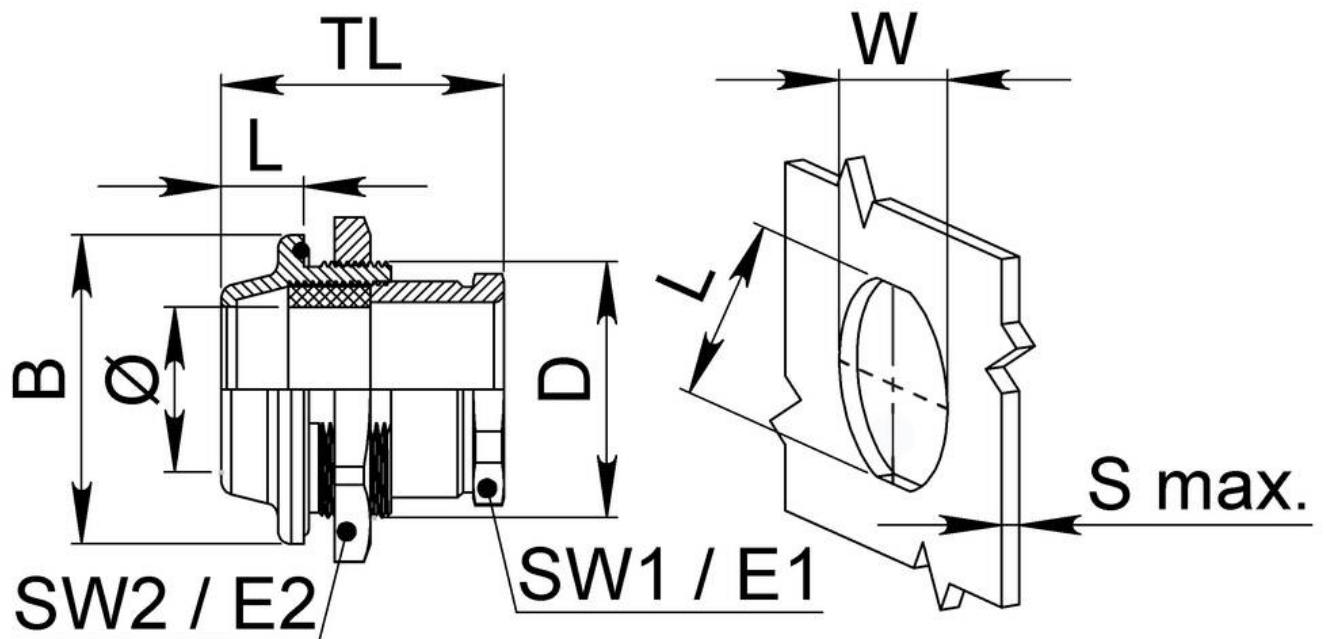
Your Contact:

WISKA Hoppmann GmbH

Kisdorfer Weg 28 · 24568 Kaltenkirchen · Germany

☎ +49-4191-508-0 · 📠 +49-4191-508-209

contact@wiska.de · www.wiska.com



Your Contact:

WISKA Hoppmann GmbH

Kisdorfer Weg 28 · 24568 Kaltenkirchen · Germany

☎ +49-4191-508-0 · 📠 +49-4191-508-209

contact@wiska.de · www.wiska.com