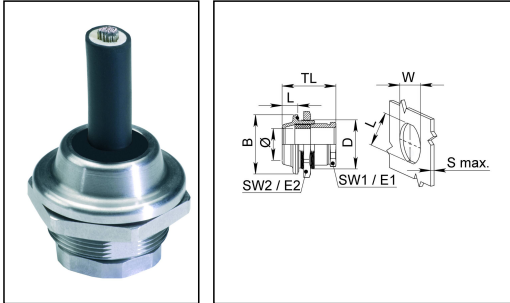


HGSM 32-E pack

Cable gland, stainless steel, M32



Products may differ in size, colour and appearance to those shown. If you require further information or customisation, please contact us directly.



Material cable gland	Stainless steel A2 (1.4305)
Material sealing gasket	EPDM
Temp. range min	-40 °C
Temp. range max	120 °C
Protection class	IP68 (5 bar 30 min), IP69
Thread type	M
Ø Connection thread D	32
Lead	0,75
Ø cable diameter min	9 mm
Ø cable diameter max	23 mm
Key width SW1	28 mm
Key width SW2	36 mm
Collar diameter E1	30 mm
Collar diameter E2	40 mm
LxWxS (max)	30x32x10mm
BxL	38x11mm
Total length TL	27,5 mm - 39,5 mm
Advice	Incl. sealing rings, locknut
WISKA-Order no.	10101857
Type	HGSM 32-E pack
Packing unit	1
Tariff number	73269098
EAN number	4007685041782
ETIM-Classification	EC000441

Your Contact:

WISKA Hoppmann GmbH

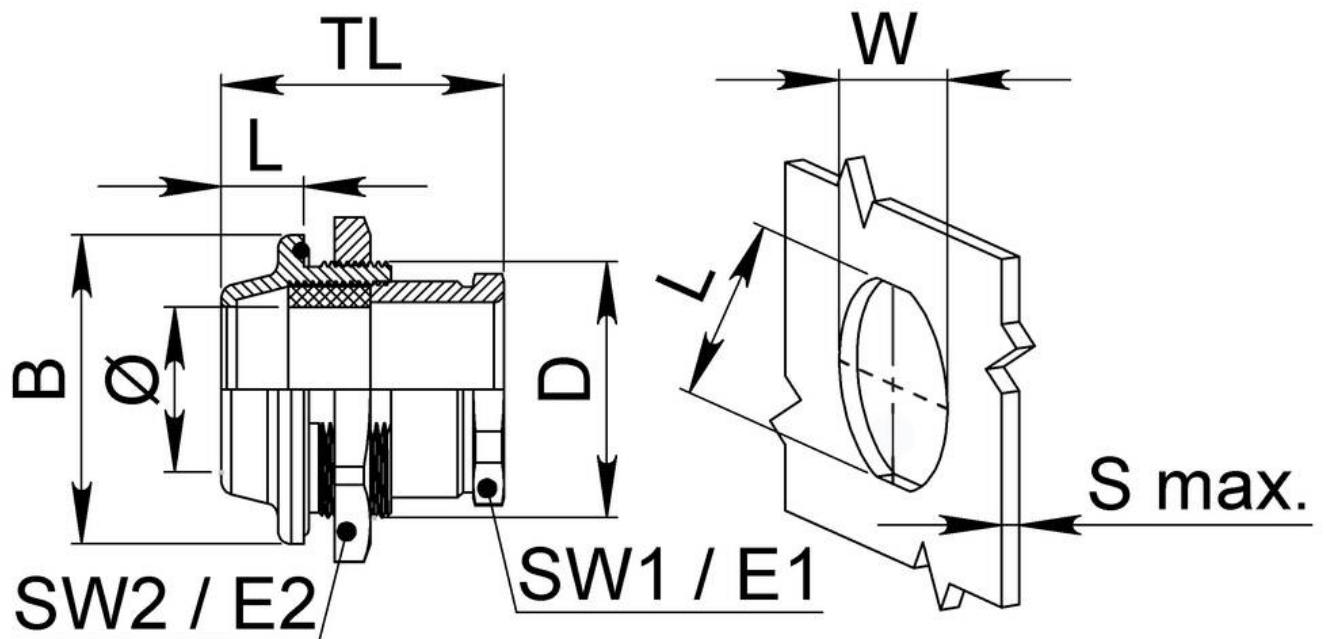
Kisdorfer Weg 28 · 24568 Kaltenkirchen · Germany

☎ +49-4191-508-0 · 📠 +49-4191-508-209

contact@wiska.de · www.wiska.com

27.06.2026

Your Contact:
WISKA Hoppmann GmbH
Kisdorfer Weg 28 · 24568 Kaltenkirchen · Germany
 +49-4191-508-0 ·  +49-4191-508-209
contact@wiska.de · www.wiska.com



Your Contact:

WISKA Hoppmann GmbH

Kisdorfer Weg 28 · 24568 Kaltenkirchen · Germany

☎ +49-4191-508-0 · 📠 +49-4191-508-209

contact@wiska.de · www.wiska.com