



|                             |                              |
|-----------------------------|------------------------------|
| <b>Type of cable</b>        | non-armoured                 |
| <b>Power cable</b>          | H07RN-F 3x1,5mm <sup>2</sup> |
| <b>Ø cable diameter min</b> | 6 mm                         |
| <b>Ø cable diameter max</b> | 13 mm                        |
| <b>Globe colour</b>         | Clear                        |
| <b>Mounting</b>             | Upside                       |
| <b>Weight</b>               | 47 kg                        |
| <b>Tariff number</b>        | 94054910                     |

Remarks:

SW400A: Searchlight for halogen-lamp 230V, IP56, aluminium      parabolic mirror 400mm  
 1000W  
 Voltage: 230V  
 P10: Cabin Control with Pedestal, Aluminium

Equipment:

- Toughened front glass
- Rubber sealing
- Quick fastening devices
- Connection cable 3m
- Anti dazzle screen
- Approval by China Classification Society

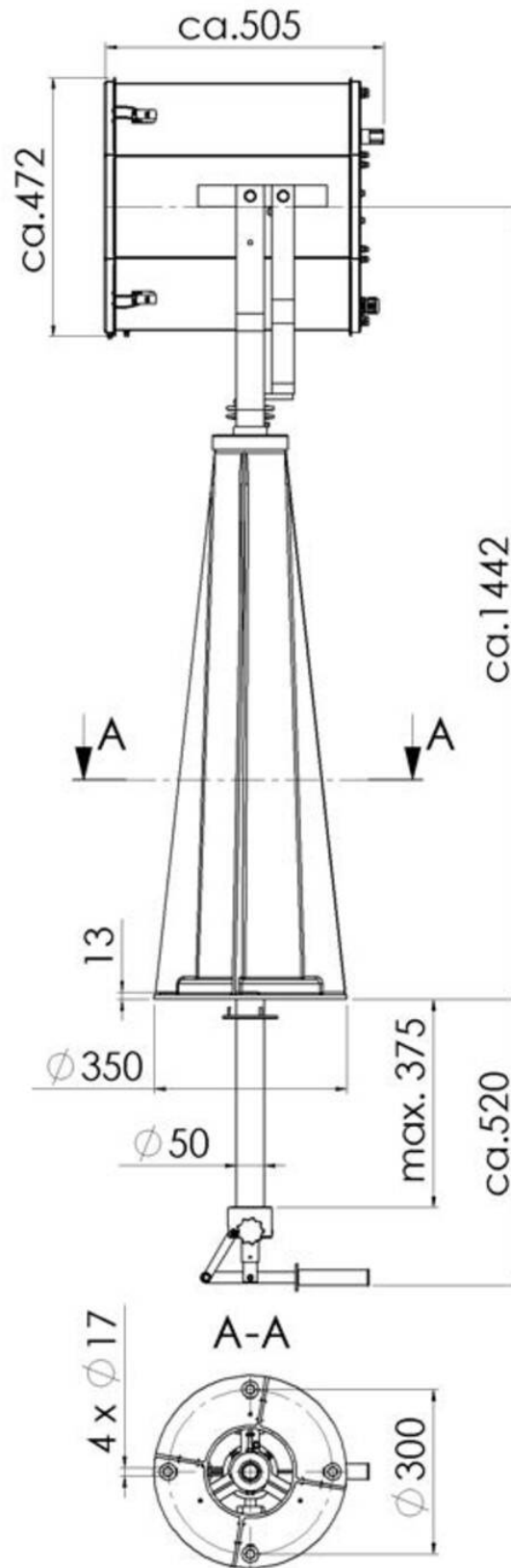
**Spare parts**

|   |          |
|---|----------|
| <b>SP-SW/SH/SKS-400 front frame+front glass</b> | 22000038 |
| <b>SP-SW400A Primary reflector</b>              | 22000040 |
| <b>SP-SW-Halogen lamp 1000W 230V GX9,5</b>      | 22000041 |
| <b>SP-SW-1997 Lampholder GX 9,5</b>             | 22000044 |
| <b>SP-S-Quick releases clamp (4 pcs)</b>        | 22000050 |
| <b>SP-SW-Gasket for searchlight housing</b>     | 22000116 |

12.05.2026

Your Contact:

**WISKA Hoppmann GmbH**  
 Kisdorfer Weg 28 · 24568 Kaltenkirchen · Germany  
 ☎ +49-4191-508-0 · 📠 +49-4191-508-209  
 contact@wiska.de · www.wiska.com



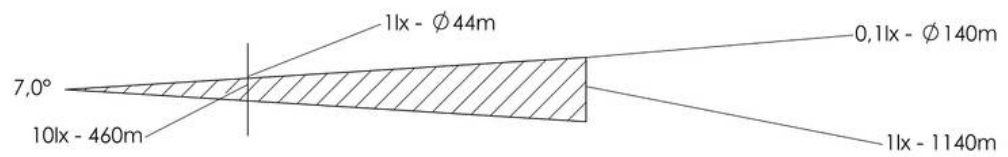
Your Contact:

**WISKA Hoppmann GmbH**

Kisdorfer Weg 28 · 24568 Kaltenkirchen · Germany

☎ +49-4191-508-0 · 📠 +49-4191-508-209

contact@wiska.de · www.wiska.com



Your Contact:

**WISKA Hoppmann GmbH**

Kisdorfer Weg 28 · 24568 Kaltenkirchen · Germany

☎ +49-4191-508-0 · 📠 +49-4191-508-209

contact@wiska.de · www.wiska.com