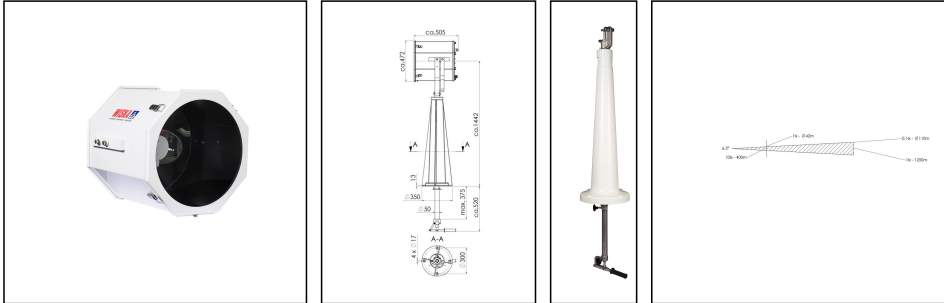


SW400 -1000-X(230)-P10-I01

Searchlight for halogen lamp Ø 400mm 1000W 230V



Products may differ in size, colour and appearance to those shown. If you require further information or customisation, please contact us directly.

| | |
|-------------------------------|----------------------------|
| WISKA-Order no. | 10101970 |
| Type | SW400 -1000-X(230)-P10-I01 |
| Material | Stainless steel |
| Colour | RAL 9016 |
| Surface | Powder coated |
| Wattage | 1000 W |
| Voltage max. (V) | 230 V |
| Type of Voltage | AC |
| Frequence | 50/60 Hz |
| Protection class | IP56 |
| Operational areas | Outdoor |
| Reflector | Glass |
| Focusing | manuel |
| Lightsource | Halogen lamp |
| Lightsource incl. | No |
| Light performance | immediately |
| Range (1 lux) | 1250 m |
| Light intensity mio/cd | 1,5 |
| Divergence | 6,5°/10 |
| Lampholder | GX 9,5 |
| Number of lampholder | 1 ST |
| Temp. range min | -25 °C |
| Temp. range max | 45 °C |
| Type of cable gland | ESKVS 20 |
| Material cable gland | Polyamide |

Your Contact:

WISKA Hoppmann GmbH

Kisdorfer Weg 28 · 24568 Kaltenkirchen · Germany

☎ +49-4191-508-0 · 📠 +49-4191-508-209

contact@wiska.de · www.wiska.com

| | |
|-----------------------------|------------------------------|
| Type of cable | non-armoured |
| Power cable | H07RN-F 3x1,5mm ² |
| Ø cable diameter min | 6 mm |
| Ø cable diameter max | 13 mm |
| Globe colour | Clear |
| Mounting | Upside |
| Weight | 46 kg |
| Tariff number | 94054910 |

Remarks:

SW400: Searchlight for halogen-lamp 1000W, IP56, glass parabolic mirror 400mm
1000W

Voltage: 230V

P10: Cabin Control with Pedestal, Aluminium

I01: manuel, stepless focusing

Equipment:

- Toughened front glass
- Rubber sealing
- Quick fastening devices
- Connection cable 3m
- Anti dazzle screen
- Approval by China Classification Society

Spare parts

| | |
|-------------------------------------------------|----------|
| SP-SW/SH/SKS-400 front frame+front glass | 22000038 |
| SP-SW400 Mirror unit 1000W | 22000039 |
| SP-SW-Halogen lamp 1000W 230V GX9,5 | 22000041 |
| SP-SW-1997 Lampholder GX 9,5 | 22000044 |
| SP-S-Quick releases clamp (4 pcs) | 22000050 |
| SP-SW-Gasket for searchlight housing | 22000116 |

12.05.2026

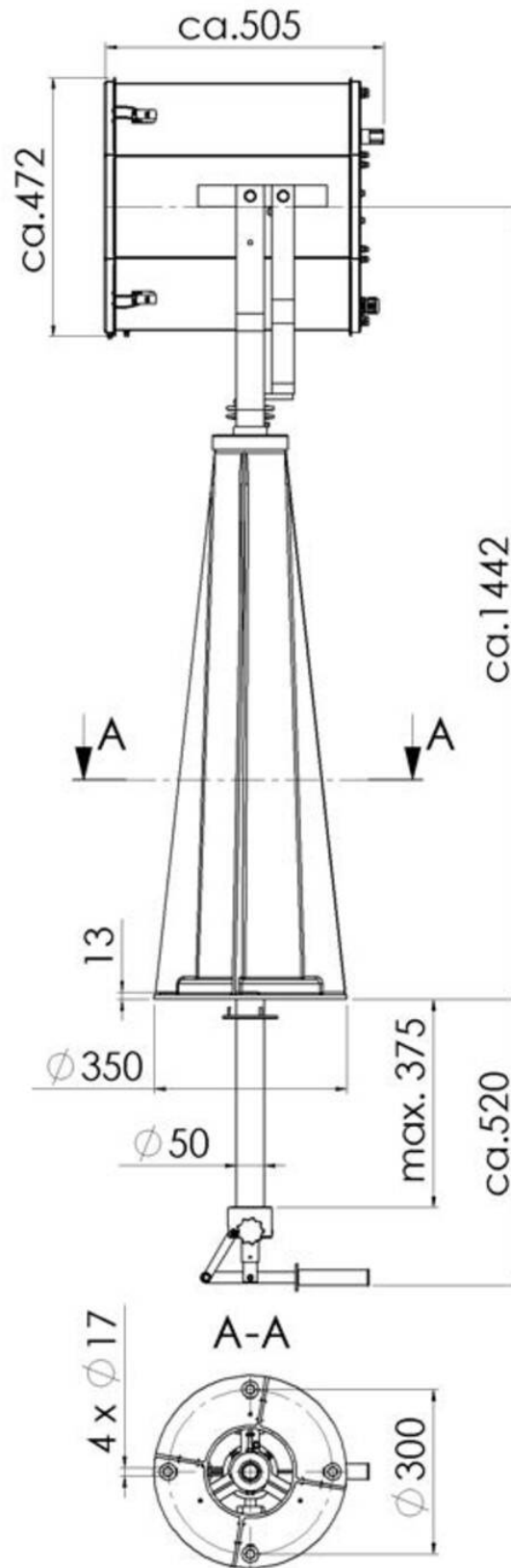
Your Contact:

WISKA Hoppmann GmbH

Kisdorfer Weg 28 · 24568 Kaltenkirchen · Germany

☎ +49-4191-508-0 · 📠 +49-4191-508-209

contact@wiska.de · www.wiska.com



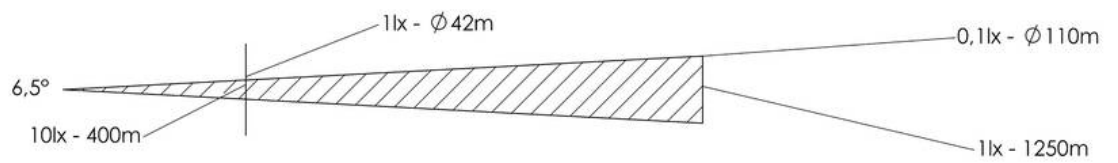
Your Contact:

WISKA Hoppmann GmbH

Kisdorfer Weg 28 · 24568 Kaltenkirchen · Germany

☎ +49-4191-508-0 · 📠 +49-4191-508-209

contact@wiska.de · www.wiska.com



Your Contact:

WISKA Hoppmann GmbH

Kisdorfer Weg 28 · 24568 Kaltenkirchen · Germany

☎ +49-4191-508-0 · 📠 +49-4191-508-209

contact@wiska.de · www.wiska.com