

## SH450 -1200-K(220)-P05

Searchlight with metal halide lamp Ø 450mm 1200W 230V



Products may differ in size, colour and appearance to those shown. If you require further information or customisation, please contact us directly.

<b>WISKA-Order no.</b>	10101973
<b>Type</b>	SH450 -1200-K(220)-P05
<b>Material</b>	Stainless steel
<b>Wattage</b>	1200 W
<b>Colour</b>	RAL 9016
<b>Surface</b>	Powder coated
<b>Voltage</b>	230 V
<b>Type of Voltage</b>	AC
<b>Frequence</b>	50/60 Hz
<b>Protection class</b>	IP56
<b>Operational areas</b>	Outdoor
<b>Reflector</b>	Glass
<b>Focusing</b>	fixed focus
<b>Lightsource</b>	Metal halide lamp
<b>Lightsource incl.</b>	Yes
<b>Bulb shape</b>	rod shaped
<b>Average lamp durability</b>	750 h
<b>Light performance</b>	immediately, Maximum light after 45 sec.
<b>Range (1 lux)</b>	4100 m
<b>Light intensity mio/cd</b>	17
<b>Divergence</b>	5°/10
<b>Lampholder</b>	SFc15,6-6
<b>Number of lampholder</b>	1 ST
<b>Temp. range min</b>	-25 °C
<b>Temp. range max</b>	45 °C

Your Contact:

WISKA Hoppmann GmbH

Kisdorfer Weg 28 · 24568 Kaltenkirchen · Germany

☎ +49-4191-508-0 · 📠 +49-4191-508-209

contact@wiska.de · www.wiska.com

<b>Power supply, standard</b>	PSUH: HMI, 1200W, 230VAC
<b>Type of cable gland</b>	ESKVS 20
<b>Material cable gland</b>	Polyamide
<b>Type of cable</b>	non-armoured
<b>Power cable</b>	NYSLYÖ-JZ 5x1,5mm <sup>2</sup>
<b>Ø cable diameter min</b>	6 mm
<b>Ø cable diameter max</b>	13 mm
<b>Globe colour</b>	Clear
<b>Mounting</b>	Upside
<b>Weight</b>	60 kg
<b>Tariff number</b>	94054910

Remarks:

SH450: Searchlight with metal halide lamp 1200W, IP56 glass parabolic mirror 450mm  
1200W  
K(220): Power supply unit, conventional, PSUH, 220V  
P05: Pedestal, Aluminium

Equipment:

- Toughened front glass
- Rubber sealing
- Quick fastening devices
- Ignition unit and stand-by heater
- Connection cable 3m
- Anti dazzle screen

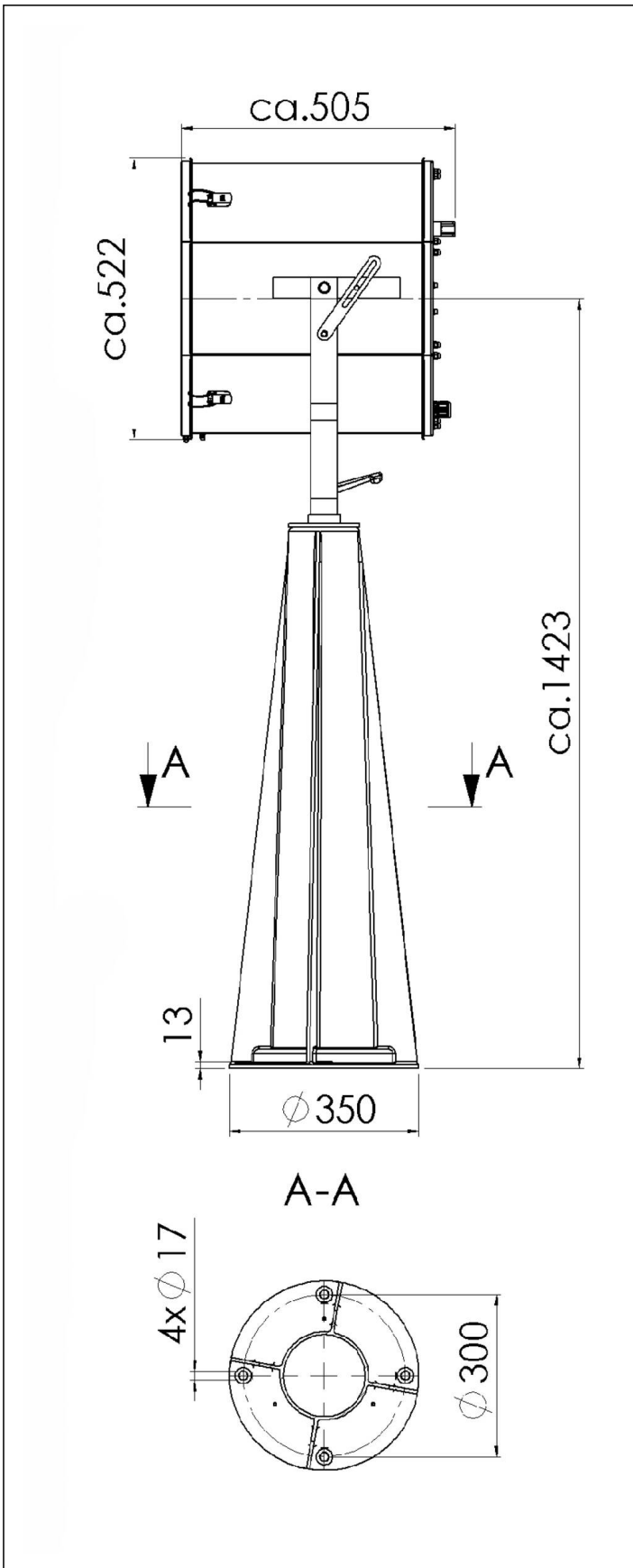
Spare parts

<b>SP-S-450 front frame + front glass</b>	22000018
<b>SP-SX/SH-450 Primary mirror</b>	22000019
<b>SP-S-Quick releases clamp (4 pcs)</b>	22000050
<b>SP-SKS-Auxiliary mirror LSH 400/450</b>	22000106
<b>SP-SW-Gasket for searchlight housing</b>	22000116
<b>SP-SH-Metal halide lamp 1200W 230V SFC</b>	22000593
<b>SP-SH450-PSUH-1200W Choke (L1)</b>	22000800

12.05.2026

Your Contact:

**WISKA Hoppmann GmbH**  
Kisdorfer Weg 28 · 24568 Kaltenkirchen · Germany  
☎ +49-4191-508-0 · 📠 +49-4191-508-209  
contact@wiska.de · www.wiska.com



Your Contact:

**WISKA Hoppmann GmbH**

Kisdorfer Weg 28 · 24568 Kaltenkirchen · Germany

☎ +49-4191-508-0 · 📠 +49-4191-508-209

contact@wiska.de · www.wiska.com



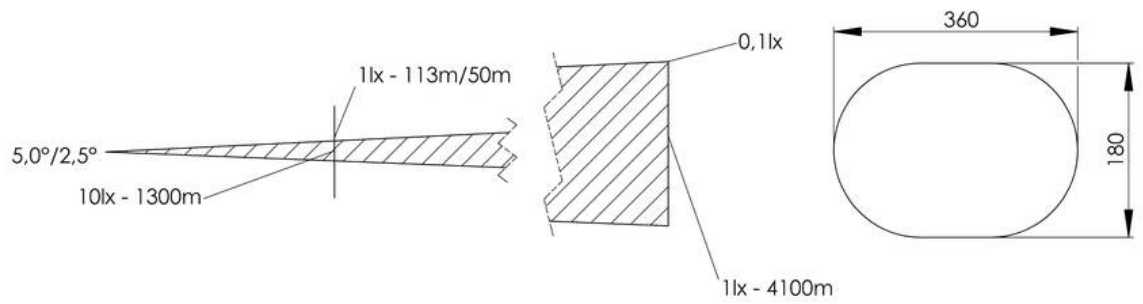
Your Contact:

**WISKA Hoppmann GmbH**

Kisdorfer Weg 28 · 24568 Kaltenkirchen · Germany

☎ +49-4191-508-0 · 📠 +49-4191-508-209

contact@wiska.de · www.wiska.com



Your Contact:

**WISKA Hoppmann GmbH**

Kisdorfer Weg 28 · 24568 Kaltenkirchen · Germany

☎ +49-4191-508-0 · 📠 +49-4191-508-209

contact@wiska.de · www.wiska.com