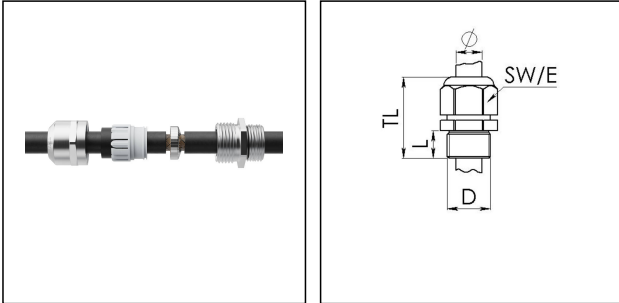


## EMSKV-L 12 EMV-S

EMC-cable gland, brass nickel-plated with long thread, M12



Products may differ in size, colour and appearance to those shown. If you require further information or customisation, please contact us directly.



<b>Material cable gland</b>	Brass nickel-plated
<b>Material sealing gasket</b>	EPDM
<b>Material clamping cage</b>	Polyamide
<b>Material earthing insert</b>	Stainless steel 1.4310
<b>Temp. range min</b>	-40 °C
<b>Temp. range max</b>	100 °C
<b>Protection class</b>	IP68 (5 bar 30 min), IP69
<b>Thread type</b>	M
<b>Ø Connection thread D</b>	12
<b>Lead</b>	1,5
<b>Length screw-in thread L</b>	12 mm
<b>Ø cable diameter min</b>	3 mm
<b>Ø cable diameter max</b>	7 mm
<b>Cable Ø shield external</b>	2 mm - 6 mm
<b>Key width SW</b>	16 mm
<b>Collar diameter (E)</b>	18 mm
<b>Total length TL</b>	30 mm - 37 mm
<b>Type of cable anchorage</b>	A
<b>Install. torques cap nut</b>	4 N m
<b>Install. torques fitting</b>	4 N m
<b>Impact category</b>	6
<b>Surface</b>	Nickel-plated
<b>Order no. nickel-plated</b>	10102645
<b>Type</b>	EMSKV-L 12 EMV-S
<b>Packing unit</b>	50

Your Contact:

WISKA Hoppmann GmbH

Kisdorfer Weg 28 · 24568 Kaltenkirchen · Germany

☎ +49-4191-508-0 · 📠 +49-4191-508-209

contact@wiska.de · www.wiska.com

<b>Tariff number</b>	74198090
<b>EAN number</b>	4007685062985

## Recommended accessories

<b>RDE 12</b>	10062183
<b>EMMU-EMV 12</b>	10063210
<b>BS 7</b>	10064005

23.05.2026

Your Contact:

**WISKA Hoppmann GmbH**

Kisdorfer Weg 28 · 24568 Kaltenkirchen · Germany

☎ +49-4191-508-0 · 📠 +49-4191-508-209

contact@wiska.de · www.wiska.com



Your Contact:

**WISKA Hoppmann GmbH**

Kisdorfer Weg 28 · 24568 Kaltenkirchen · Germany

☎ +49-4191-508-0 · 📠 +49-4191-508-209

contact@wiska.de · www.wiska.com