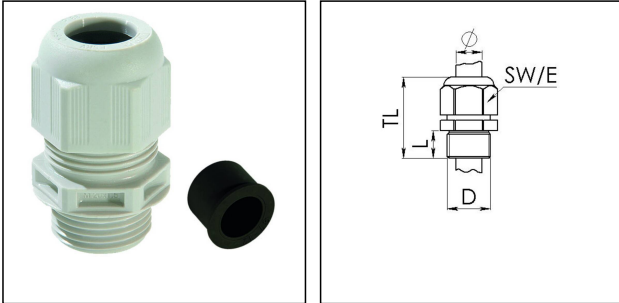


## NSKV-RDE 3/8 LG

Cable gland with reduction sealing insert, polyamide, NPT 3/8", RAL 7035



Products may differ in size, colour and appearance to those shown. If you require further information or customisation, please contact us directly.



|                          |                           |
|--------------------------|---------------------------|
| Material cable gland     | Polyamide                 |
| Material sealing gasket  | EPDM                      |
| Protection class         | IP68 (5 bar 30 min), IP69 |
| Temp. range min          | -40 °C                    |
| Temp. range max          | 100 °C                    |
| Glow wire test           | 750 °C                    |
| Thread type              | NPT                       |
| Ø Connection thread D    | 3/8"                      |
| Length screw-in thread L | 15 mm                     |
| Ø cable diameter min     | 2 mm                      |
| Ø cable diameter max     | 10 mm                     |
| Key width SW             | 20 mm                     |
| Collar diameter (E)      | 22 mm                     |
| Total length TL          | 35 mm - 41 mm             |
| Type of cable anchorage  | A                         |
| Install. torques fitting | 3,5 N m                   |
| Install. torques cap nut | 1,5 N m                   |
| Advice                   | With reduction insert     |
| Product Color            | RAL 7035                  |
| Type                     | NSKV-RDE 3/8 LG           |
| Order no. RAL 7035       | 10102680                  |
| Packing unit             | 50                        |
| EAN number               | 4007685063616             |
| Tariff number            | 39269097                  |
| ETIM-Classification      | EC000441                  |

Your Contact:

WISKA Hoppmann GmbH

Kisdorfer Weg 28 · 24568 Kaltenkirchen · Germany

☎ +49-4191-508-0 · 📠 +49-4191-508-209

contact@wiska.de · www.wiska.com

23.05.2026

Your Contact:  
**WISKA Hoppmann GmbH**  
Kisdorfer Weg 28 · 24568 Kaltenkirchen · Germany  
☎ +49-4191-508-0 · 📠 +49-4191-508-209  
contact@wiska.de · www.wiska.com



Your Contact:

**WISKA Hoppmann GmbH**

Kisdorfer Weg 28 · 24568 Kaltenkirchen · Germany

☎ +49-4191-508-0 · 📠 +49-4191-508-209

contact@wiska.de · www.wiska.com