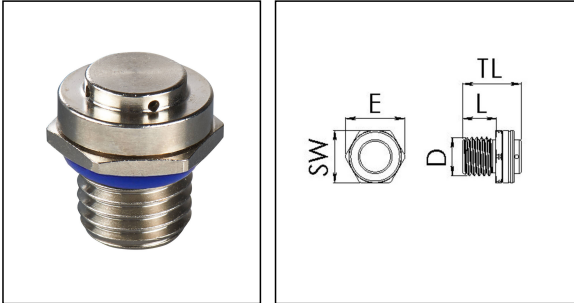


## EMVPS 12 HF

Pressure compensation plug, brass nickel-plated, M12



Products may differ in size, colour and appearance to those shown. If you require further information or customisation, please contact us directly.



<b>Material cable gland</b>	Brass nickel-plated
<b>Material membrane</b>	Acryl-Copolymer
<b>Material sealing gasket</b>	EPDM, Silicone
<b>Airflow at 70mbar</b>	140 l/h
<b>Temp. range min</b>	-40 °C
<b>Temp. range max</b>	100 °C
<b>Protection class</b>	IP68 / IP69
<b>Thread type</b>	M
<b>Ø Connection thread D</b>	12
<b>Lead</b>	1,5
<b>Length screw-in thread L</b>	10 mm
<b>Key width SW</b>	16 mm
<b>Collar diameter (E)</b>	18 mm
<b>Tightening torque</b>	2 N m
<b>Total length TL</b>	17,5 mm
<b>Order no. nickel-plated</b>	10103266
<b>Type</b>	EMVPS 12 HF
<b>Packing unit</b>	10
<b>EAN number</b>	4007685081481
<b>Tariff number</b>	74198090
<b>ETIM-Classification</b>	EC000441

Remarks:

VentPLUG pressure compensation unit  
with raised venting

Your Contact:

**WISKA Hoppmann GmbH**  
Kisdorfer Weg 28 · 24568 Kaltenkirchen · Germany  
☎ +49-4191-508-0 · 📠 +49-4191-508-209  
contact@wiska.de · www.wiska.com

**Airflow 140 l/h at 70mbar**

**Recommended accessories**

**EMMU 12**

10063141

23.05.2026

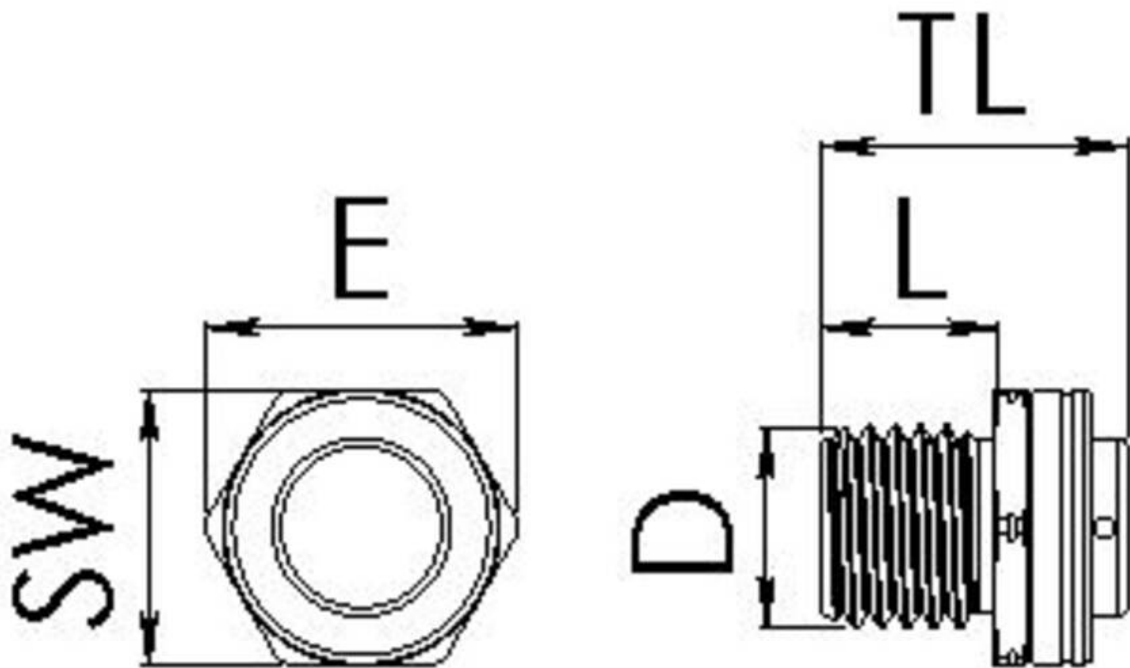
Your Contact:

**WISKA Hoppmann GmbH**

Kisdorfer Weg 28 · 24568 Kaltenkirchen · Germany

 +49-4191-508-0 ·  +49-4191-508-209

[contact@wiska.de](mailto:contact@wiska.de) · [www.wiska.com](http://www.wiska.com)



Your Contact:

**WISKA Hoppmann GmbH**

Kisdorfer Weg 28 · 24568 Kaltenkirchen · Germany

☎ +49-4191-508-0 · 📠 +49-4191-508-209

contact@wiska.de · www.wiska.com