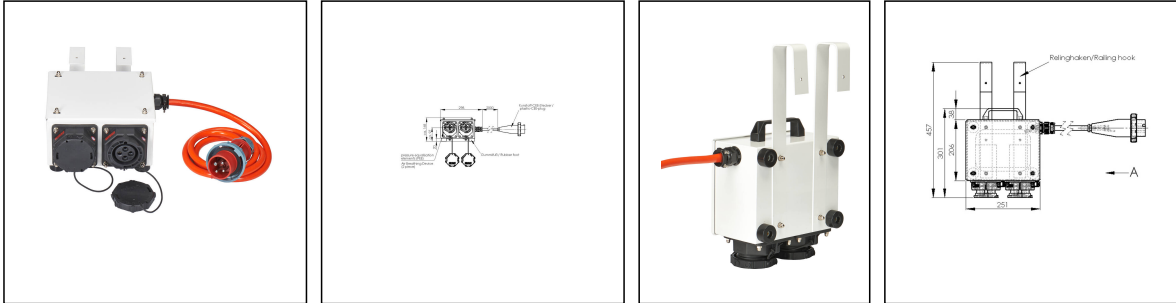


## PushIn Mobile Splitter 32A/20A/25kA

Enlargement for reefer container sockets 32A 25kA 440V, stainless steel RAL 9016



Products may differ in size, colour and appearance to those shown. If you require further information or customisation, please contact us directly.



<b>WISKA-Order no.</b>	10103705
<b>Type</b>	PushIn Mobile Splitter 32A/20A/25kA
<b>Material</b>	Stainless steel 1.4301 (V2A)
<b>Material protective cap</b>	Polyamide
<b>Socket insert</b>	3 - poles + PE
<b>Number of sockets</b>	2
<b>Clock face position</b>	3h
<b>Breaking capacity</b>	25 kA
<b>Voltage max. (V)</b>	440 V
<b>Type of Voltage</b>	AC
<b>Current</b>	32 A
<b>Protection class</b>	IP66 / IP67
<b>Operational areas</b>	Outdoor
<b>Temp. range min</b>	-25 °C
<b>Temp. range max</b>	45 °C
<b>Type of cable gland</b>	M 32 x 1,5
<b>Mounting</b>	Surface mounting
<b>External dimensions LxWxH</b>	297x251x168mm
<b>Colour</b>	RAL 9016
<b>Tariff number</b>	85366990

Remarks:

- with mounting fixture set
- cable length: 2m
- Function check: LED
- Long-life: VentPLUG venting devices to avoid condensation water

Your Contact:

**WISKA Hoppmann GmbH**  
 Kisdorfer Weg 28 · 24568 Kaltenkirchen · Germany  
 ☎ +49-4191-508-0 · 📠 +49-4191-508-209  
 contact@wiska.de · www.wiska.com

- Carrier handle for transport

## Spare parts

<b>SP-CAP NUTS M6</b>	22000402
<b>SP-MOBILE-PI/LED/DAE/25kA/20A/BC/NUTS</b>	22000741

22.05.2026

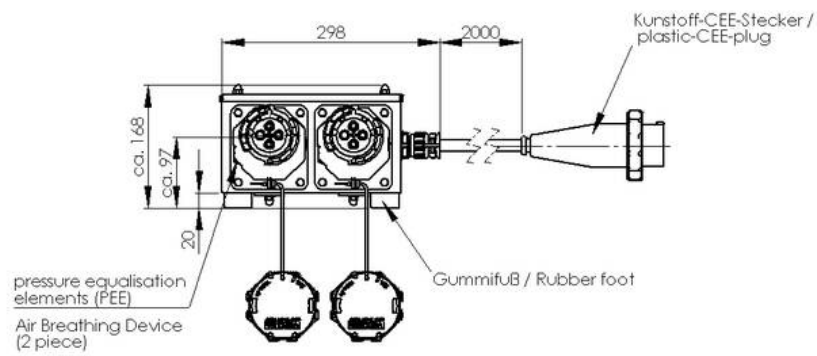
Your Contact:

**WISKA Hoppmann GmbH**

Kisdorfer Weg 28 · 24568 Kaltenkirchen · Germany

☎ +49-4191-508-0 · 📠 +49-4191-508-209

contact@wiska.de · www.wiska.com



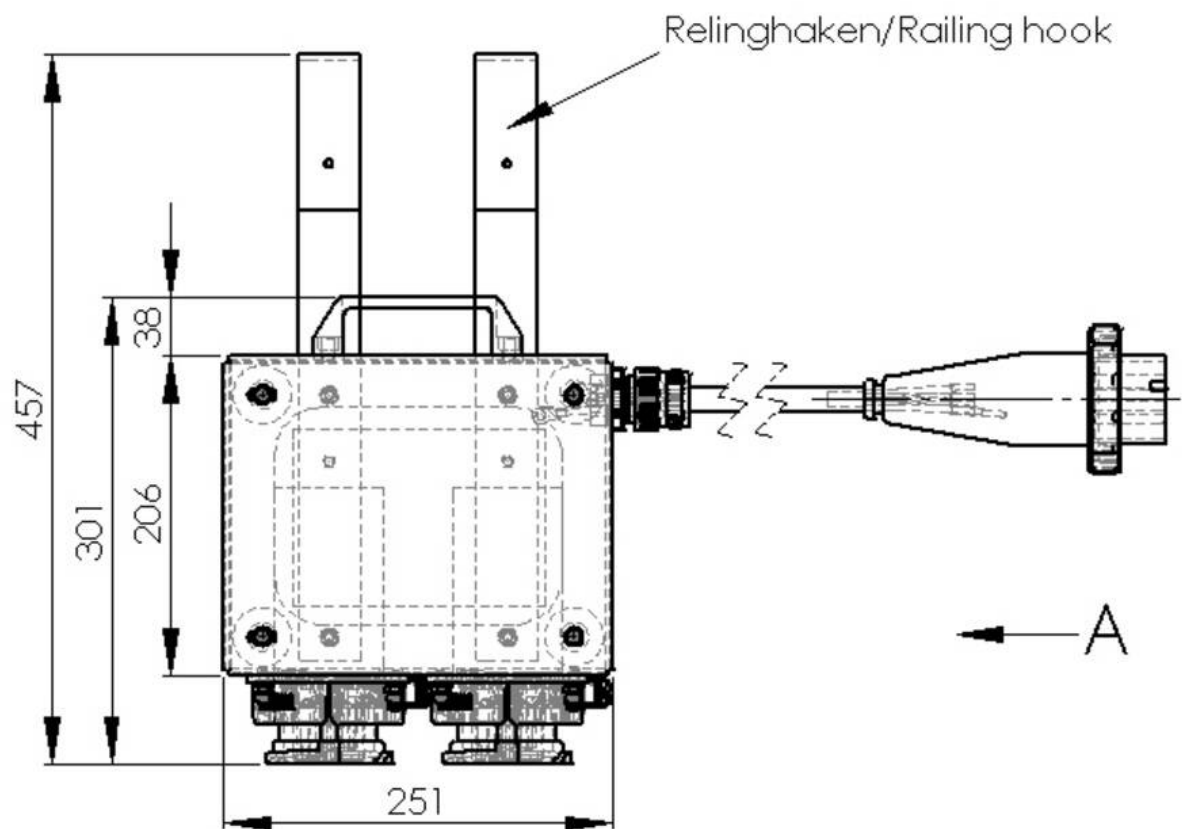
Your Contact:

**WISKA Hoppmann GmbH**

Kisdorfer Weg 28 · 24568 Kaltenkirchen · Germany

☎ +49-4191-508-0 · 📠 +49-4191-508-209

✉ contact@wiska.de · 🌐 www.wiska.com



Your Contact:

**WISKA Hoppmann GmbH**

Kisdorfer Weg 28 · 24568 Kaltenkirchen · Germany

☎ +49-4191-508-0 · 📠 +49-4191-508-209

contact@wiska.de · www.wiska.com