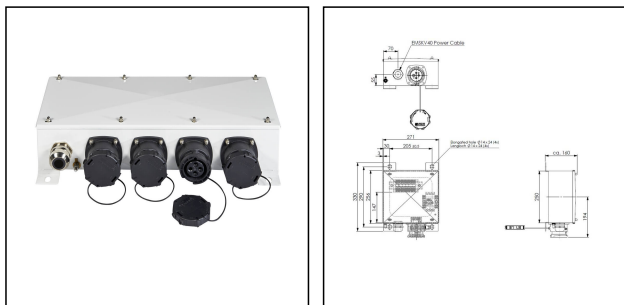


VARITAIN® OneTouch ECO 01/FS/FS/32A/25kA

Reefer container socket 32A 25kA 440V 3h 1-gang, stainless steel, RAL 7035



Products may differ in size, colour and appearance to those shown. If you require further information or customisation, please contact us directly.



WISKA-Order no.	10104116
Type	VARITAIN® OneTouch ECO 01/FS/FS/32A/25kA
Material	Stainless steel 1.4301 (V2A)
Material protective cap	Polyamide
Socket insert	3 - poles + PE
Number of sockets	1
Clock face position	3h
Breaking capacity	25 kA
Voltage max. (V)	440 V
Type of Voltage	AC
Current	32 A
Protection class	IP56 / IP67
Operational areas	Outdoor
Temp. range min	-25 °C
Temp. range max	45 °C
Type of cable gland	EMSKV-RDE 40/EE36-26
Mounting	Wall, Surface mounting
External dimensions LxWxH	265x250x126mm
Colour	RAL 7035
Weight	7 kg
Approval	DNV-GL, BV
Variations	on request
Tariff number	85366990

Your Contact:

WISKA Hoppmann GmbH

Kisdorfer Weg 28 · 24568 Kaltenkirchen · Germany

☎ +49-4191-508-0 · 📠 +49-4191-508-209

contact@wiska.de · www.wiska.com

Spare parts

SP-VARI-OTE/MCCB/25kA	22000390
SP-VARI-OTE-PI/CL	22000391
SP-VARI-OTE/SPACER	22000392
SP-VARI-OT-OTE/SF-FS/NUTS	22000397
SP-VARI-SI/OTE	22000399
SP-CAP NUTS M6	22000402
SP-BC/FS-CEE/BELT/32A	22000403
SP-VARI/TB 35mm²	22000615
SP-VARI-OTE/25kA/BC/NUTS	22000662
SP-VARI-OT-OTE/SLIDING WASHER	22000694
SP-VARI-OT-OTE/Locking clamp (5 pcs)	22000695
SP-VARI-OT-OTE/WASHER SI	22000885

23.05.2026

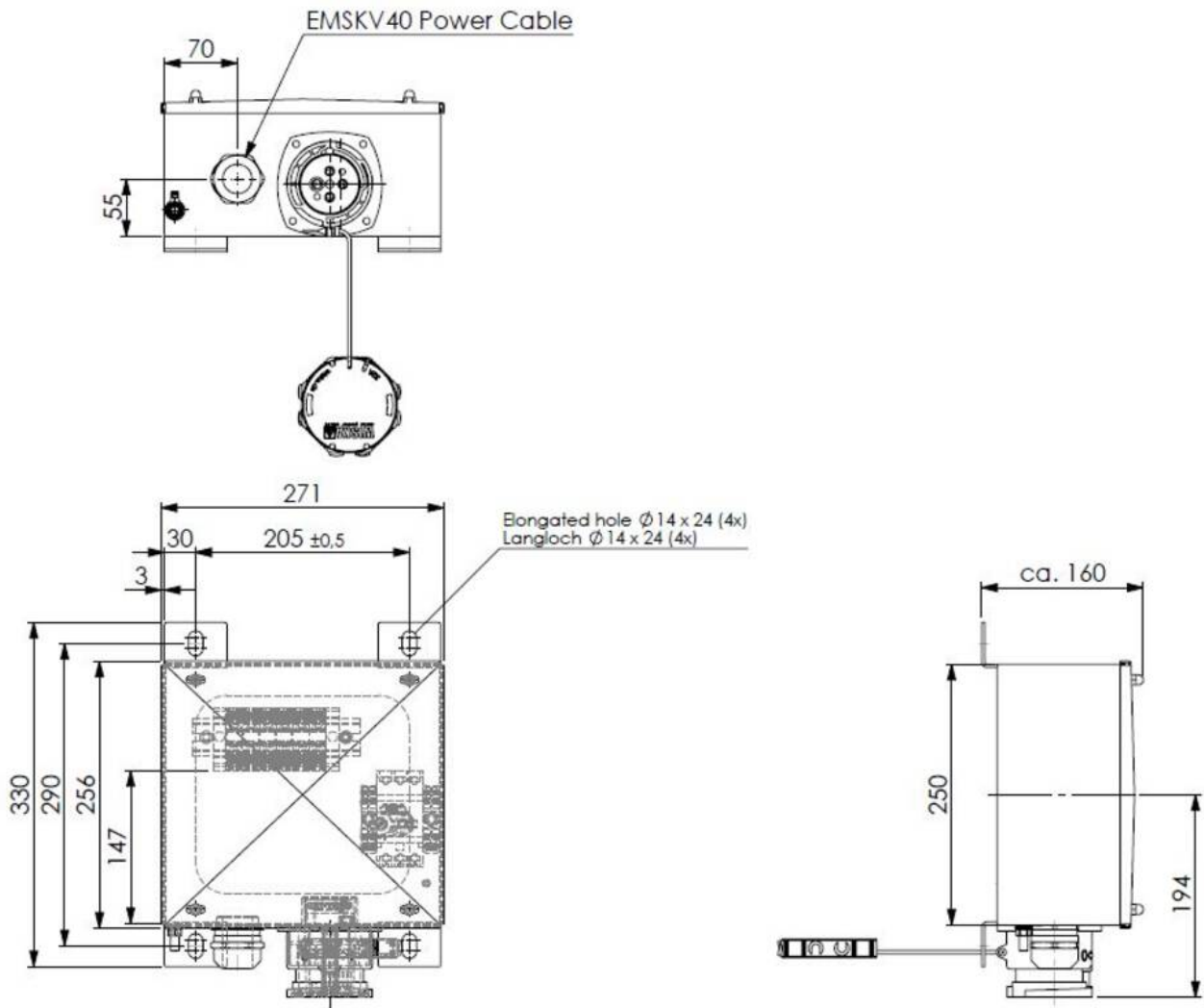
Your Contact:

WISKA Hoppmann GmbH

Kisdorfer Weg 28 · 24568 Kaltenkirchen · Germany

☎ +49-4191-508-0 · 📠 +49-4191-508-209

✉ contact@wiska.de · 🌐 www.wiska.com



Your Contact:

WISKA Hoppmann GmbH

Kisdorfer Weg 28 · 24568 Kaltenkirchen · Germany

☎ +49-4191-508-0 · 📠 +49-4191-508-209

contact@wiska.de · www.wiska.com