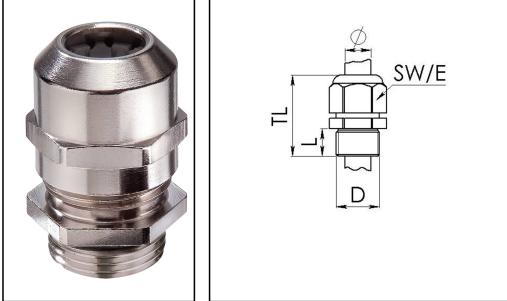


## EMSKV 75 RW

Railway cable gland, brass nickel-plated, with short thread, M75



Products may differ in size, colour and appearance to those shown. If you require further information or customisation, please contact us directly.



Material cable gland	Brass nickel-plated
Material sealing gasket	EPDM
Material clamping cage	Polyamide UL94-V0
Hazard level EN acc. 45545	R22=HL3 / R23=HL3 / R24=HL3
Protection class	IP68 (5 bar 30 min), IP69
Thread type	M
Ø Connection thread D	75
Lead	1,5
Length screw-in thread L	12 mm
Temp. range min	-40 °C
Temp. range max	100 °C
Ø cable diameter min	48 mm
Ø cable diameter max	62 mm
Key width SW	82 mm
Collar diameter (E)	90 mm
Total length TL	67 mm - 81 mm
Type of cable anchorage	A
Install. torques fitting	40 N m
Install. torques cap nut	40 N m
Impact category	6
Surface	Nickel-plated
Order no. nickel-plated	10104302
Type	EMSKV 75 RW
Packing unit	1
EAN number	4007686000238

Your Contact:

WISKA Hoppmann GmbH

Kisdorfer Weg 28 · 24568 Kaltenkirchen · Germany

☎ +49-4191-508-0 · 📠 +49-4191-508-209

contact@wiska.de · www.wiska.com

<b>Tariff number</b>	74198090
<b>ETIM-Classification</b>	EC000441

Remarks:

Meets fire protection standard EN 45545 and all requirements of Hazard Level 3 with fire resistance E30

23.05.2026

Your Contact:

**WISKA Hoppmann GmbH**

Kisdorfer Weg 28 · 24568 Kaltenkirchen · Germany

☎ +49-4191-508-0 · 📠 +49-4191-508-209

contact@wiska.de · www.wiska.com



Your Contact:

**WISKA Hoppmann GmbH**

Kisdorfer Weg 28 · 24568 Kaltenkirchen · Germany

☎ +49-4191-508-0 · 📠 +49-4191-508-209

contact@wiska.de · www.wiska.com