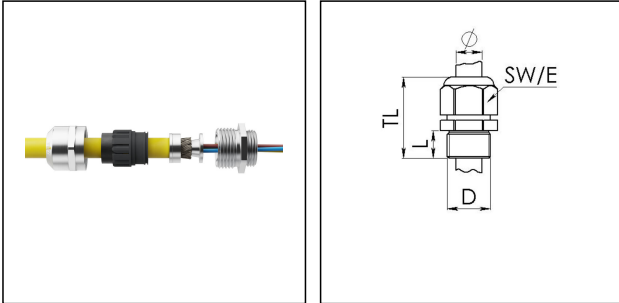


## EMSKV 12 EMV-Z RW

EMC Railway cable gland, brass nickel-plated with short thread, M12



Products may differ in size, colour and appearance to those shown. If you require further information or customisation, please contact us directly.



Material cable gland	Brass nickel-plated
Material sealing gasket	EPDM
Material clamping cage	Polyamide UL94-V0
Material earthing insert	Brass plated
Hazard level EN acc. 45545	R22=HL3 / R23=HL3 / R24=HL3
Protection class	IP69, IP68 (5 bar 30 min)
Thread type	M
Ø Connection thread D	12
Lead	1,5
Length screw-in thread L	5 mm
Temp. range min	-40 °C
Temp. range max	100 °C
Ø cable diameter min	3 mm
Ø cable diameter max	7 mm
Ø cable below cable shield max	5 mm
Key width SW	16 mm
Collar diameter (E)	18 mm
Total length TL	23 mm - 30 mm
Install. torques fitting	4 N m
Install. torques cap nut	4 N m
Surface	Nickel-plated
Order no. nickel-plated	10104303
Type	EMSKV 12 EMV-Z RW
Packing unit	50
EAN number	4007686000245

Your Contact:

WISKA Hoppmann GmbH

Kisdorfer Weg 28 · 24568 Kaltenkirchen · Germany

☎ +49-4191-508-0 · 📠 +49-4191-508-209

contact@wiska.de · www.wiska.com

<b>Tariff number</b>	85369010
<b>ETIM-Classification</b>	EC000441

Remarks:

Meets fire protection standard EN 45545 and all requirements of Hazard Level 3 with fire resistance E30

#### Recommended accessories

<b>EMMU-EMV 12</b>	10063210
<b>BS 7</b>	10064005
<b>RDE 12 RW</b>	10105370

26.06.2026

Your Contact:

**WISKA Hoppmann GmbH**

Kisdorfer Weg 28 · 24568 Kaltenkirchen · Germany

☎ +49-4191-508-0 · 📠 +49-4191-508-209

contact@wiska.de · www.wiska.com



Your Contact:

**WISKA Hoppmann GmbH**

Kisdorfer Weg 28 · 24568 Kaltenkirchen · Germany

☎ +49-4191-508-0 · 📠 +49-4191-508-209

contact@wiska.de · www.wiska.com