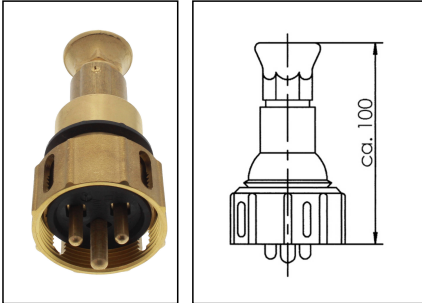


1142/V/MS/150V-1xW10

HNA plug locking type 16A 250V, brass, IP56



Products may differ in size, colour and appearance to those shown. If you require further information or customisation, please contact us directly.

WISKA-Order no.	10104337
Type	1142/V/MS/150V-1xW10
Material	Brass
Voltage	150 V
Type of Voltage	AC
Current	16 A
Protection class	IP56
Temp. range min	-25 °C
Temp. range max	45 °C
plug insert	HNA
Terminals/poles	2-pole + E
Type of cable gland	M 24 x 1,5
Ø cable diameter min	8 mm
Ø cable diameter max	10,5 mm
Type of cable	non-armoured
Norm	HNA, DIN 89267
Weight	0,54 kg

Spare parts

SP-137/150V Plug interior	22000637
SP-HNA Gasket	22000860
SP-GR/HNA/FS R 1 3/8" Ring nut clear	22000868

23.05.2026

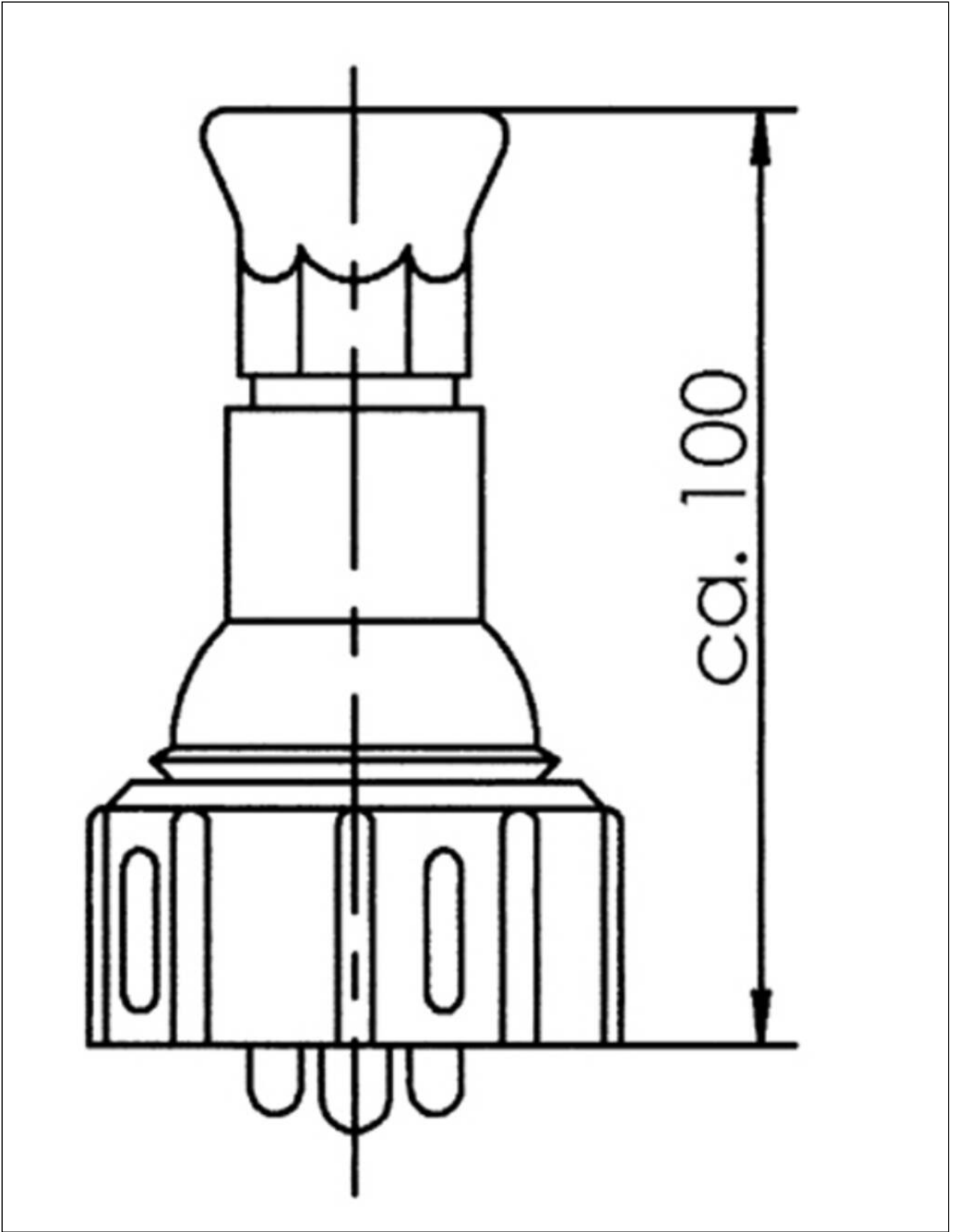
Your Contact:

WISKA Hoppmann GmbH

Kisdorfer Weg 28 · 24568 Kaltenkirchen · Germany

☎ +49-4191-508-0 · 📠 +49-4191-508-209

contact@wiska.de · www.wiska.com



Your Contact:
WISKA Hoppmann GmbH
Kisdorfer Weg 28 · 24568 Kaltenkirchen · Germany
☎ +49-4191-508-0 · 📠 +49-4191-508-209
contact@wiska.de · www.wiska.com

Other technical data on request / subject to change without notice