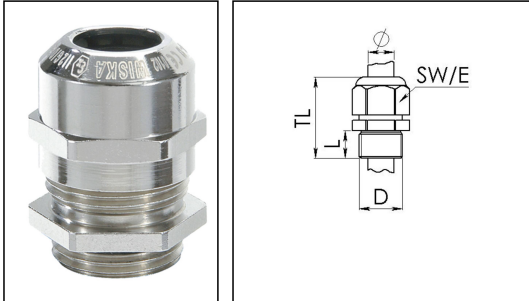


EMSKE 75

Ex-cable gland, brass nickel-plated with short thread, M75



Products may differ in size, colour and appearance to those shown. If you require further information or customisation, please contact us directly.



Material cable gland	Brass nickel-plated
Material clamping cage	Polyamide
Material sealing gasket	EPDM
Temp. range min	-40 °C
Temp. range max	75 °C
Protection class	IP66 / IP68 (5 bar 30 min)
Type of protection	Ex eb, Ex tb
Ex-Certificate	ATEX, IECEx
Thread type	M
Ø Connection thread D	75
Lead	1,5
Length screw-in thread L	12 mm
Ø cable diameter min	48 mm
Ø cable diameter max	62 mm
Key width SW	82 mm
Collar diameter (E)	90 mm
Total length TL	67 mm - 81 mm
Install. torques fitting	50 N m
Install. torques cap nut	50 N m
Surface	Nickel-plated
Order no. nickel-plated	10104386
Type	EMSKE 75
Packing unit	1
Tariff number	74198090
EAN number	4007686000849

Your Contact:

WISKA Hoppmann GmbH

Kisdorfer Weg 28 · 24568 Kaltenkirchen · Germany

☎ +49-4191-508-0 · 📠 +49-4191-508-209

contact@wiska.de · www.wiska.com

23.05.2026

Your Contact:

WISKA Hoppmann GmbH

Kisdorfer Weg 28 · 24568 Kaltenkirchen · Germany

☎ +49-4191-508-0 · 📠 +49-4191-508-209

contact@wiska.de · www.wiska.com



Your Contact:

WISKA Hoppmann GmbH

Kisdorfer Weg 28 · 24568 Kaltenkirchen · Germany

☎ +49-4191-508-0 · 📠 +49-4191-508-209

contact@wiska.de · www.wiska.com