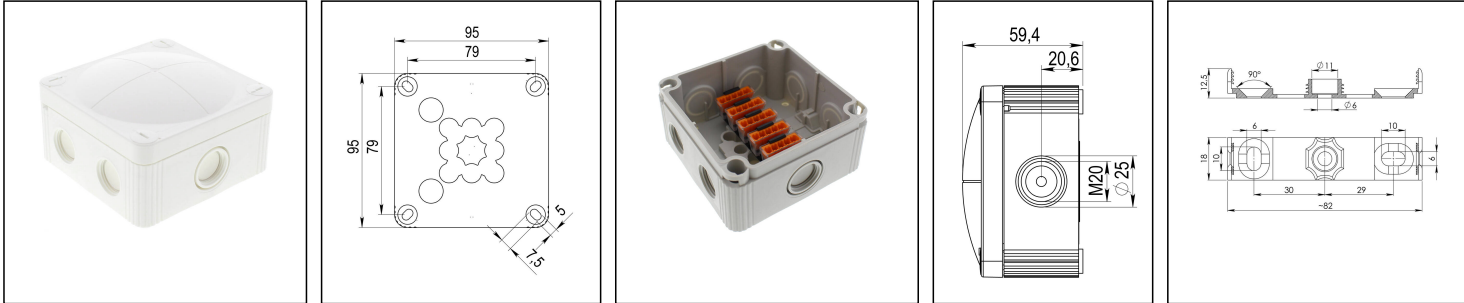


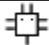
## COMBI 407/SDK5 WH

Junction box 95x95x60mm, polypropylene, RAL 9001, with terminal block



Products may differ in size, colour and appearance to those shown. If you require further information or customisation, please contact us directly.



|                                     |   |
|-------------------------------------|---|
| <b>Material</b>                     | Polypropylene   |
| <b>Material sealing gasket</b>      | TPE   |
| <b>Temp. range min</b>              | -30 °C  |
| <b>Temp. range max</b>              | 100 °C  |
| <b>Temperatures during install.</b> | -5 °C - 60 °C   |
| <b>Protection class</b>             | IP66 / IP67   |
| <b>Glow wire test</b>               | 750 °C  |
| <b>Voltage</b>                      | 690 V   |
| <b>Rated current / A (Terminal)</b> | 24 A  |
| <b>Rated cross section</b>          | 4 mm <sup>2</sup>   |
| <b>Terminals/poles</b>              | 5 x 2,5 mm <sup>2</sup>   |
| <b>Fixing</b>                       | 4 internal openings   |
| <b>Ø cable diameter min</b>         | 3 mm  |
| <b>Ø cable diameter max</b>         | 12 mm   |
| <b>External dimensions LxWxH</b>    | 95 x 95 x 60mm  |
| <b>Type of cable gland</b>          | M 20 x 1,5, M 25 x 1,5  |
| <b>Using for cable gland</b>        |  |
| <b>Product Color</b>                | RAL 9001  |
| <b>WISKA-Order no.</b>              | 10105600  |
| <b>Type</b>                         | COMBI 407/SDK5 WH   |
| <b>Packing unit</b>                 | 5   |
| <b>ETIM-Classification</b>          | EC002600  |
| <b>EAN number</b>                   | 4007686010848   |
| <b>Tariff number</b>                | 39269097  |

Remarks:

Your Contact:

WISKA Hoppmann GmbH

Kisdorfer Weg 28 · 24568 Kaltenkirchen · Germany

☎ +49-4191-508-0 · 📠 +49-4191-508-209

contact@wiska.de · www.wiska.com

**IP66:** using the membrane entry

**IP67:** using the threaded entry together with ESKV cable gland

#### Equipment:

- 6x M20 threaded membrane entries and 1 middle M20 threaded membrane entry with knockout to M25
- 2 membrane cable entries through rear
- 4 captive cover screws
- including mounting clip
- with terminal block consisting of:  
5 screwless box terminal 5-poles,  
0,5-2,5mm<sup>2</sup> for solid wires  
1,5-2,5mm<sup>2</sup> for rigid stranded wires

#### Fixing:

With mounting clip or 4 internal openings outside of the sealing area

#### Recommended accessories

|                                       |          |
|---------------------------------------|----------|
| MP-S Mounting plate small             | 10105774 |
| MP-L Mounting plate large COMBI / WHK | 10105775 |
| External mounting - COMBI LG          | 10108836 |
| ZER 4-12 LG                           | 10109800 |

#### Spare parts

|                                      |          |
|--------------------------------------|----------|
| SP-KT407 SDK5 screwless box terminal | 22000811 |
|--------------------------------------|----------|

23.05.2026

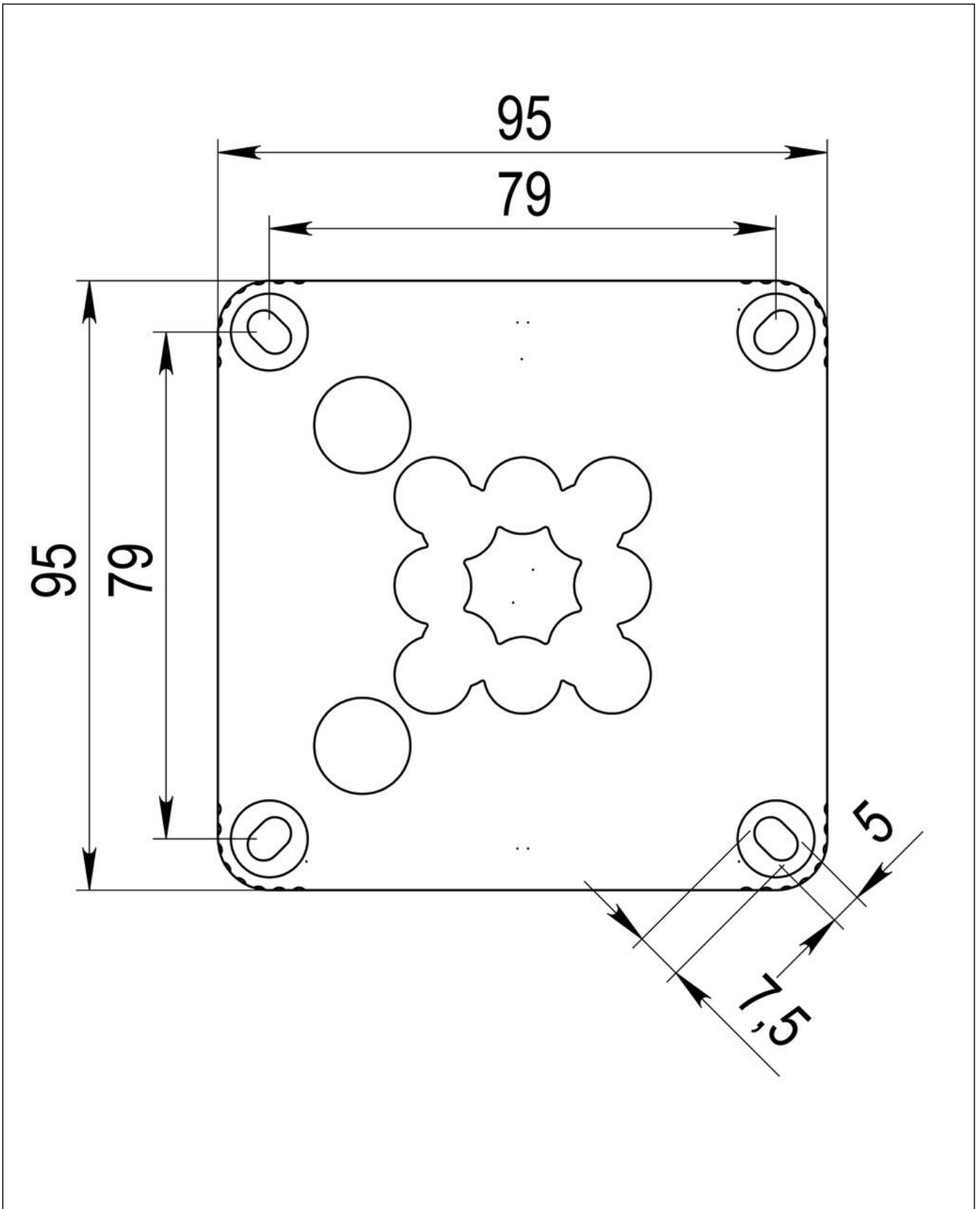
Your Contact:

**WISKA Hoppmann GmbH**

Kisdorfer Weg 28 · 24568 Kaltenkirchen · Germany

☎ +49-4191-508-0 · 📠 +49-4191-508-209

contact@wiska.de · www.wiska.com



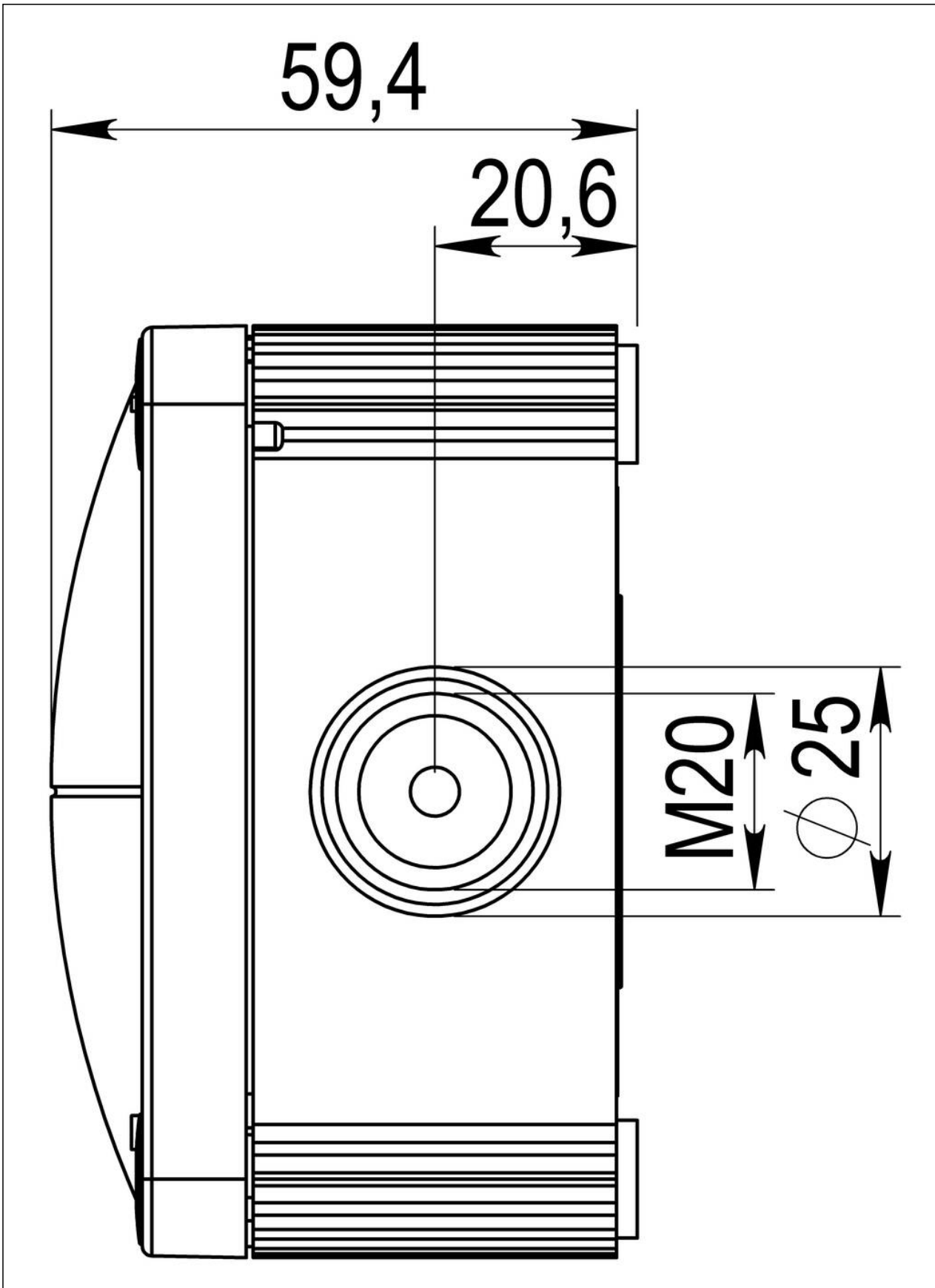
Your Contact:

**WISKA Hoppmann GmbH**

Kisdorfer Weg 28 · 24568 Kaltenkirchen · Germany

☎ +49-4191-508-0 · 📠 +49-4191-508-209

contact@wiska.de · www.wiska.com



Your Contact:

**WISKA Hoppmann GmbH**

Kisdorfer Weg 28 · 24568 Kaltenkirchen · Germany

☎ +49-4191-508-0 · 📠 +49-4191-508-209

contact@wiska.de · www.wiska.com