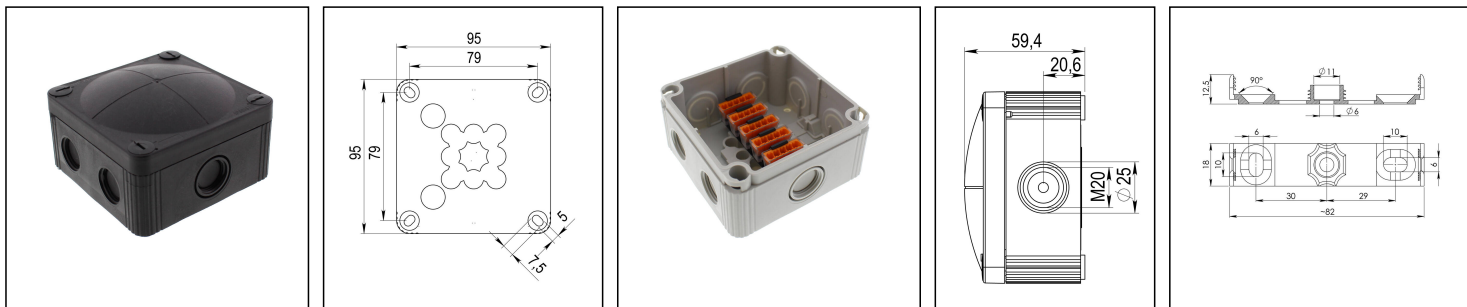
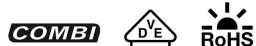


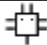
COMBI 407/SDK5 BK

Junction box 95x95x60mm, polypropylene, RAL 9005, with terminal block



Products may differ in size, colour and appearance to those shown. If you require further information or customisation, please contact us directly.



| | |
|-------------------------------------|---|
| Material | Polypropylene |
| Material sealing gasket | TPE |
| Temp. range min | -30 °C |
| Temp. range max | 100 °C |
| Temperatures during install. | -5 °C - 60 °C |
| Protection class | IP66 / IP67 |
| Glow wire test | 750 °C |
| Voltage | 690 V |
| Rated current / A (Terminal) | 24 A |
| Rated cross section | 4 mm ² |
| Terminals/poles | 5 x 2,5 mm ² |
| Fixing | 4 internal openings |
| Ø cable diameter min | 3 mm |
| Ø cable diameter max | 12 mm |
| External dimensions LxWxH | 95 x 95 x 60mm |
| Type of cable gland | M 25 x 1,5, M 20 x 1,5 |
| Using for cable gland |  |
| Product Color | RAL 9005 |
| WISKA-Order no. | 10105603 |
| Type | COMBI 407/SDK5 BK |
| Packing unit | 5 |
| ETIM-Classification | EC002600 |
| EAN number | 4007686010879 |
| Tariff number | 85369010 |

Remarks:

Your Contact:

WISKA Hoppmann GmbH

Kisdorfer Weg 28 · 24568 Kaltenkirchen · Germany

☎ +49-4191-508-0 · 📠 +49-4191-508-209

contact@wiska.de · www.wiska.com

IP66: using the membrane entry

IP67: using the threaded entry together with ESKV cable gland

Equipment:

- 6x M20 threaded membrane entries and 1 middle M20 threaded membrane entry with knockout to M25
- 2 membrane cable entries through rear
- 4 captive cover screws
- including mounting clip
- with terminal block consisting of:
5 screwless box terminal 5-poles,
0,5-2,5mm² for solid wires
1,5-2,5mm² for rigid stranded wires

Fixing:

With mounting clip or 4 internal openings outside of the sealing area

Recommended accessories

| | |
|---------------------------------------|----------|
| MP-S Mounting plate small | 10105774 |
| MP-L Mounting plate large COMBI / WHK | 10105775 |
| External mounting - COMBI LG | 10108836 |
| ZER 4-12 LG | 10109800 |

Spare parts

| | |
|--------------------------------------|----------|
| SP-KT407 SDK5 screwless box terminal | 22000811 |
|--------------------------------------|----------|

23.05.2026

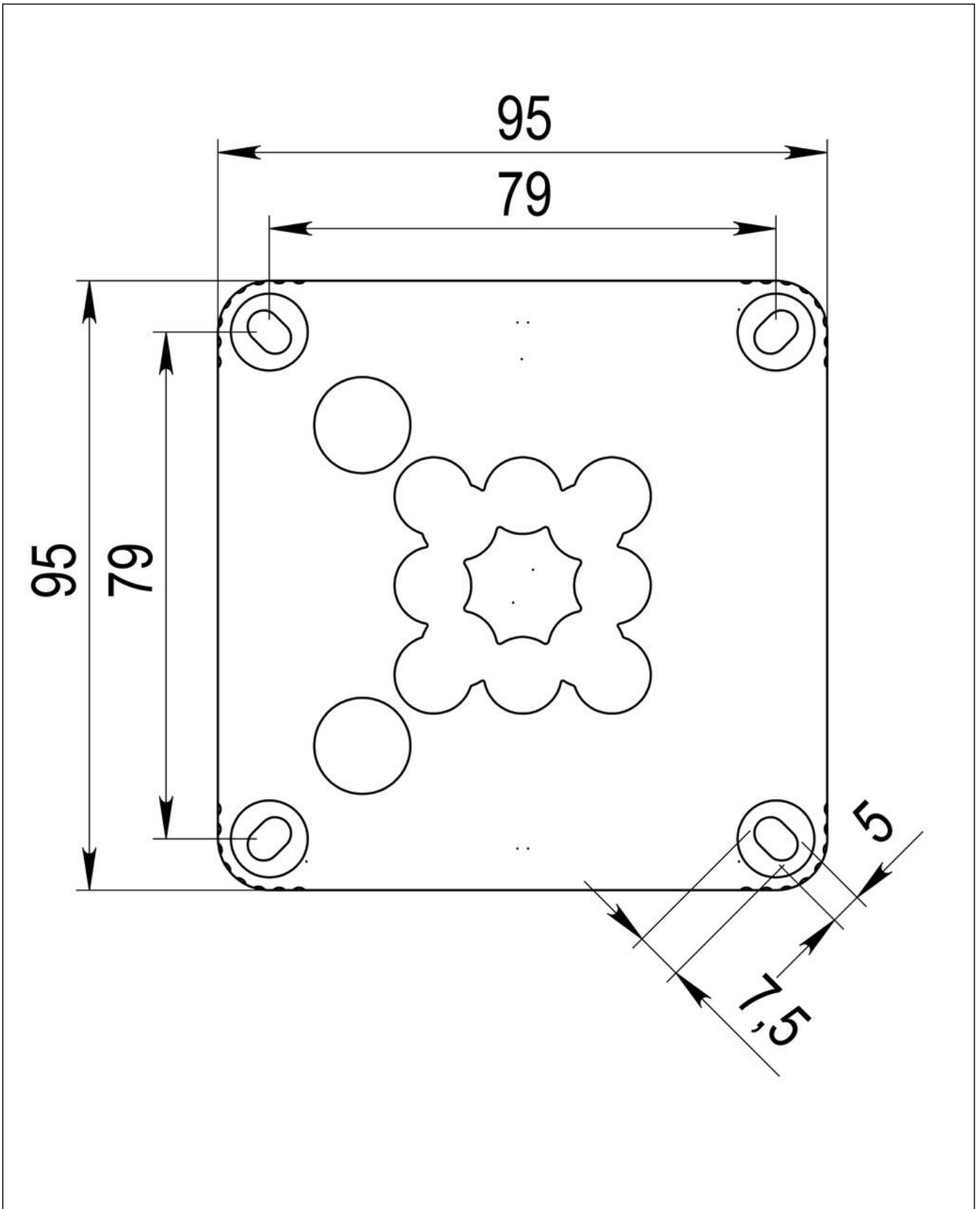
Your Contact:

WISKA Hoppmann GmbH

Kisdorfer Weg 28 · 24568 Kaltenkirchen · Germany

☎ +49-4191-508-0 · 📠 +49-4191-508-209

contact@wiska.de · www.wiska.com



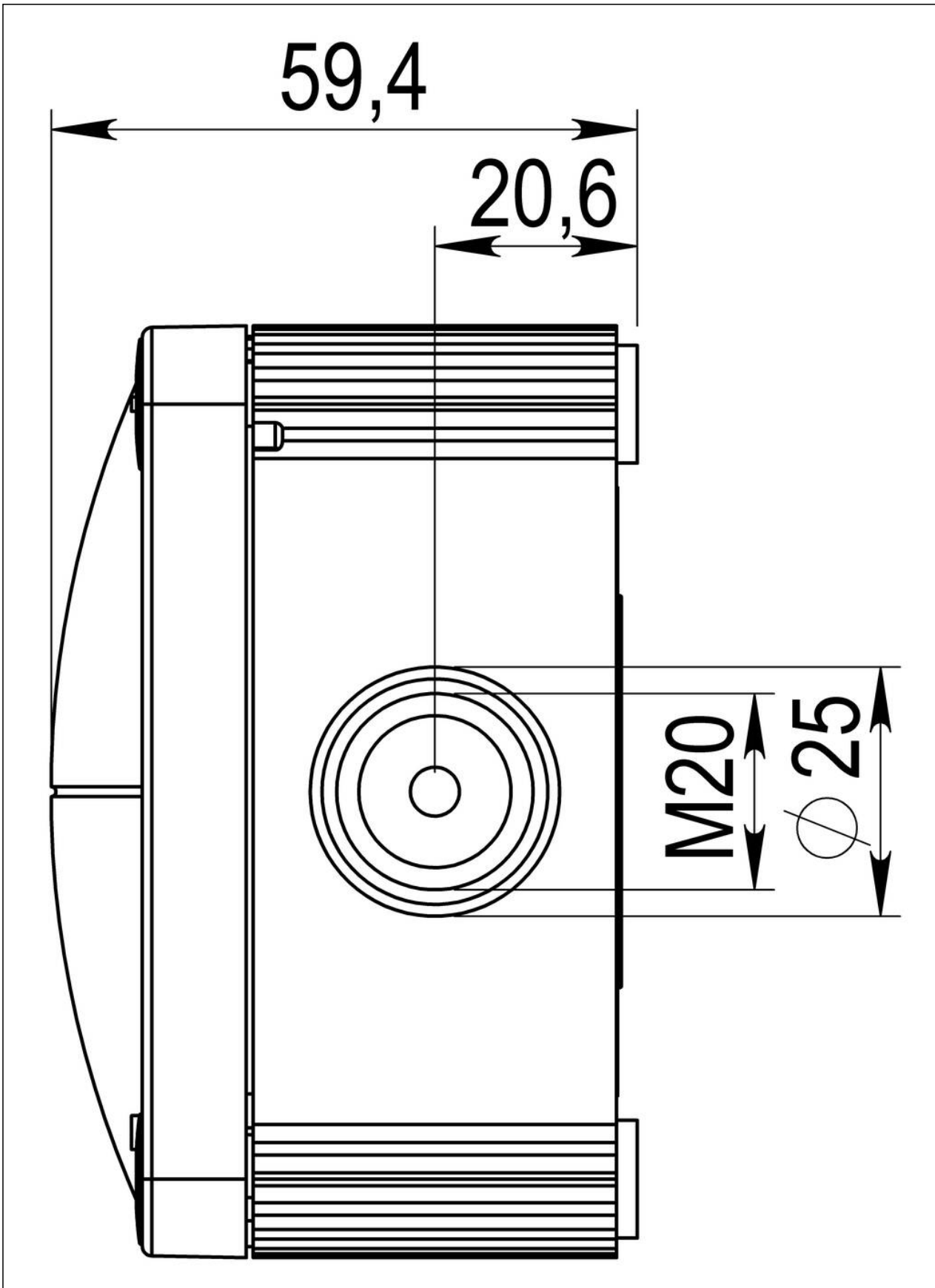
Your Contact:

WISKA Hoppmann GmbH

Kisdorfer Weg 28 · 24568 Kaltenkirchen · Germany

☎ +49-4191-508-0 · 📠 +49-4191-508-209

contact@wiska.de · www.wiska.com



Your Contact:

WISKA Hoppmann GmbH

Kisdorfer Weg 28 · 24568 Kaltenkirchen · Germany

☎ +49-4191-508-0 · 📠 +49-4191-508-209

contact@wiska.de · www.wiska.com