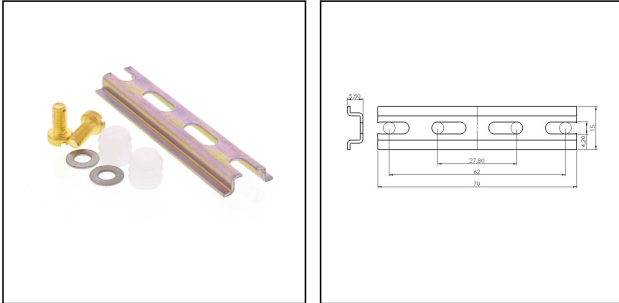


## DIN Rail Kit - COMBI 407/TS 15

DIN Rail Kit for installation of terminals



Products may differ in size, colour and appearance to those shown. If you require further information or customisation, please contact us directly.

<b>Material</b>	Steel
<b>Type</b>	DIN Rail Kit - COMBI 407/TS 15
<b>WISKA-Order no.</b>	10105604
<b>Packing unit</b>	1
<b>EAN number</b>	4007686010886
<b>Tariff number</b>	39269097

Remarks:

Rail TS 15 + fixing material

23.05.2026

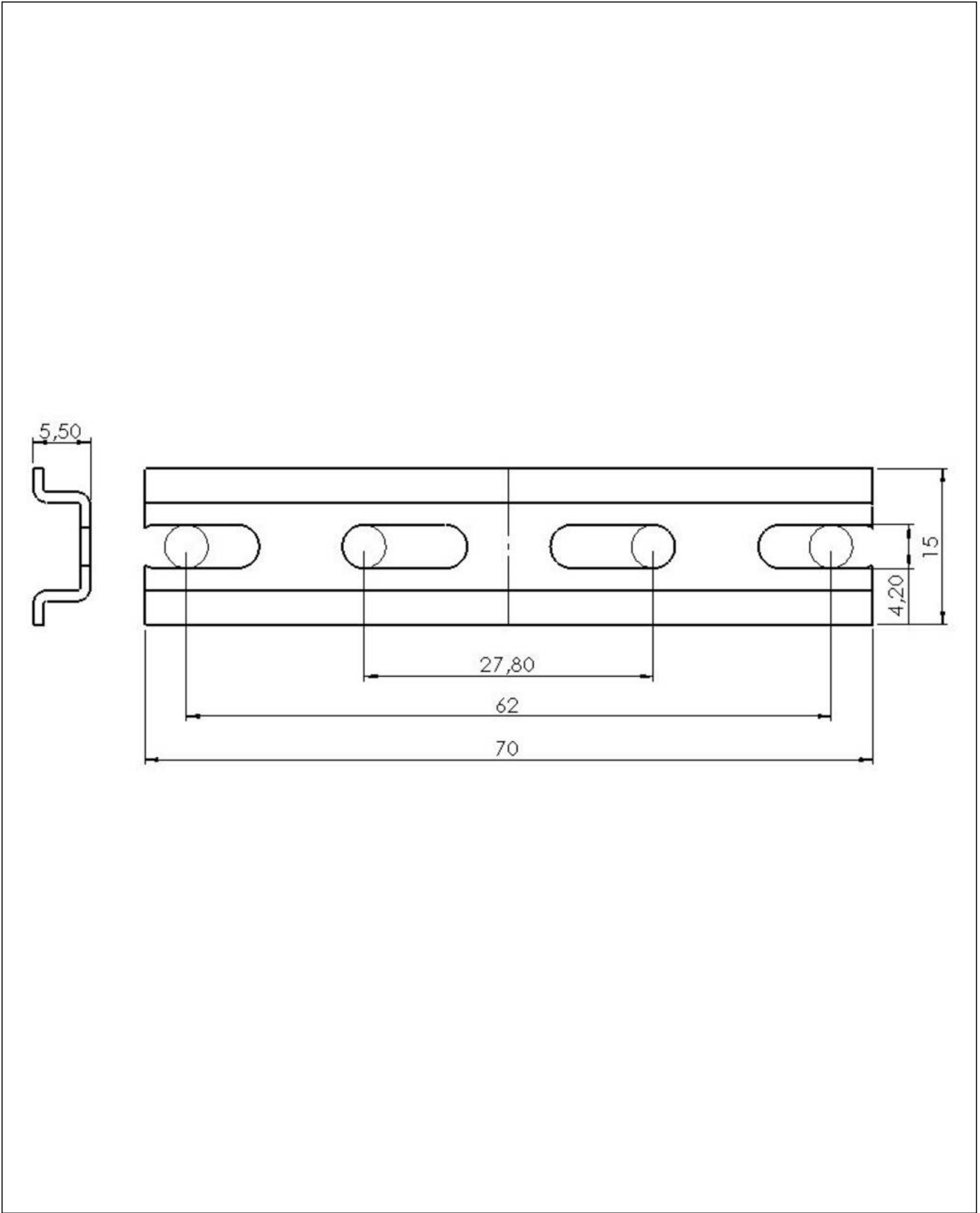
Your Contact:

**WISKA Hoppmann GmbH**

Kisdorfer Weg 28 · 24568 Kaltenkirchen · Germany

☎ +49-4191-508-0 · 📠 +49-4191-508-209

contact@wiska.de · www.wiska.com



Your Contact:

**WISKA Hoppmann GmbH**

Kisdorfer Weg 28 · 24568 Kaltenkirchen · Germany

☎ +49-4191-508-0 · 📠 +49-4191-508-209

contact@wiska.de · www.wiska.com