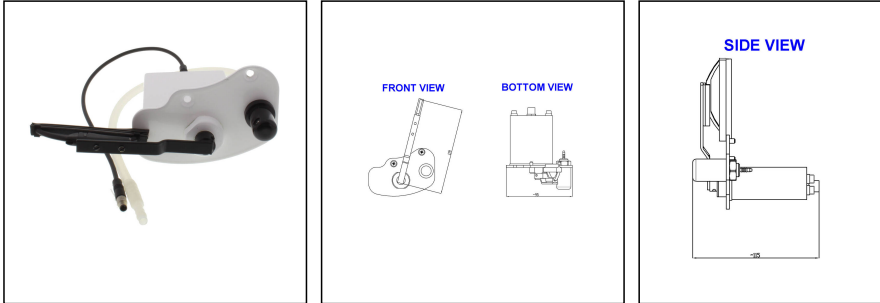


## WIPER UNIT/CH-S240

Wiper motor unit complete set



Products may differ in size, colour and appearance to those shown. If you require further information or customisation, please contact us directly.

|                          |                         |
|--------------------------|-------------------------|
| <b>Type</b>              | WIPER UNIT/CH-S240      |
| <b>WISKA-Order no.</b>   | 10105801                |
| <b>Material</b>          | Stainless steel         |
| <b>Colour</b>            | RAL 9016                |
| <b>Operational areas</b> | Outdoor                 |
| <b>Temp. range min</b>   | -25 °C                  |
| <b>Temp. range max</b>   | 55 °C                   |
| <b>Mounting</b>          | Plug & Play             |
| <b>Interface</b>         | plug&play pre-installed |
| <b>Tariff number</b>     | 85255000                |

Remarks:

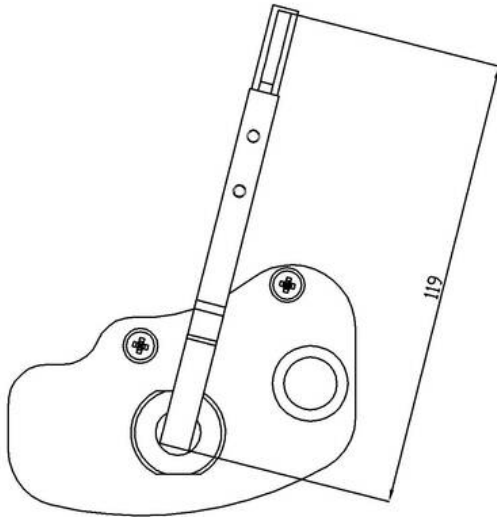
Wiper unit for camera type CH-S240,  
 Including servo, wiper and  
 water nozzle. Also for add-on mounting  
 (CH-S240 camera series only)  
 Color: RAL9016  
 Plug-and-Play  
 Wash water tank type WTC 10l) or  
 type WT (2l) not included

12.05.2026

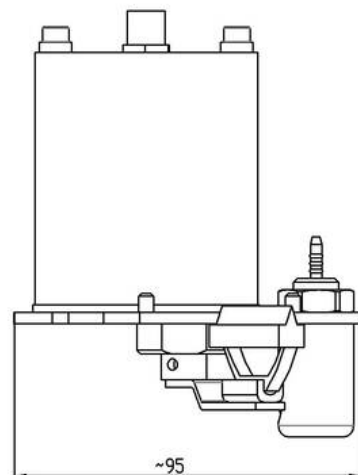
Your Contact:

**WISKA Hoppmann GmbH**  
 Kisdorfer Weg 28 · 24568 Kaltenkirchen · Germany  
 ☎ +49-4191-508-0 · 📠 +49-4191-508-209  
 contact@wiska.de · www.wiska.com

**FRONT VIEW**



**BOTTOM VIEW**



Your Contact:

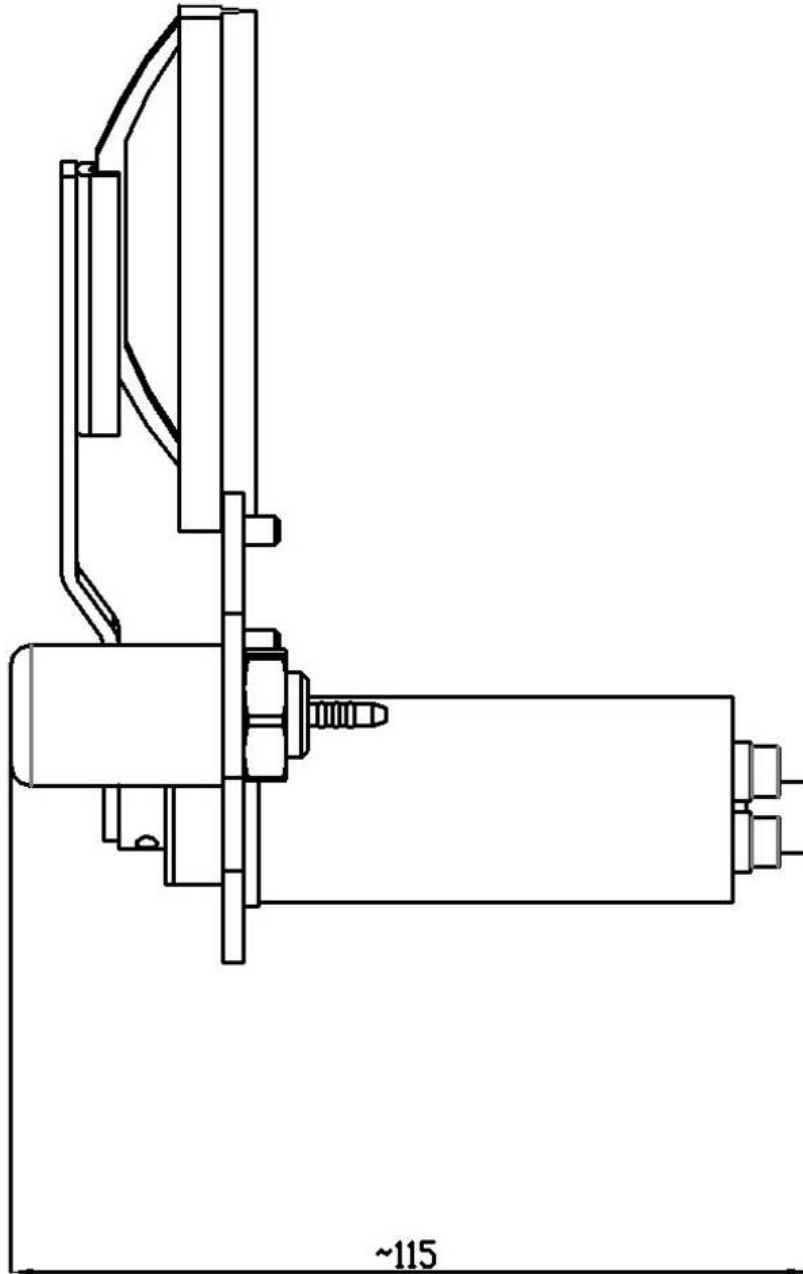
**WISKA Hoppmann GmbH**

Kisdorfer Weg 28 · 24568 Kaltenkirchen · Germany

☎ +49-4191-508-0 · 📠 +49-4191-508-209

contact@wiska.de · www.wiska.com

# SIDE VIEW



Your Contact:

**WISKA Hoppmann GmbH**

Kisdorfer Weg 28 · 24568 Kaltenkirchen · Germany

☎ +49-4191-508-0 · 📠 +49-4191-508-209

contact@wiska.de · www.wiska.com