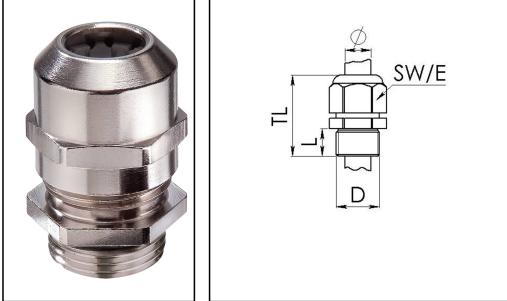


## EMSKV 20 LT RW

Railway cable gland LowTemp, brass nickel-plated with short thread, M20



Products may differ in size, colour and appearance to those shown. If you require further information or customisation, please contact us directly.



<b>Material cable gland</b>	Brass nickel-plated
<b>Material sealing gasket</b>	Silicone
<b>Material clamping cage</b>	Polyamide UL94-V0
<b>Hazard level EN acc. 45545</b>	R22=HL3 / R23=HL3 / R24=HL3
<b>Protection class</b>	IP68 (5 bar 30 min), IP69
<b>Thread type</b>	M
<b>Ø Connection thread D</b>	20
<b>Lead</b>	1,5
<b>Length screw-in thread L</b>	6 mm
<b>Temp. range min</b>	-60 °C
<b>Temp. range max</b>	100 °C
<b>Ø cable diameter min</b>	6 mm
<b>Ø cable diameter max</b>	13 mm
<b>Key width SW</b>	24 mm
<b>Collar diameter (E)</b>	27 mm
<b>Total length TL</b>	29 mm - 37 mm
<b>Type of cable anchorage</b>	A
<b>Install. torques fitting</b>	8 N m
<b>Install. torques cap nut</b>	8 N m
<b>Impact category</b>	6
<b>Surface</b>	Nickel-plated
<b>Order no. nickel-plated</b>	10105825
<b>Type</b>	EMSKV 20 LT RW
<b>Packing unit</b>	50
<b>EAN number</b>	4007686012798

Your Contact:

WISKA Hoppmann GmbH

Kisdorfer Weg 28 · 24568 Kaltenkirchen · Germany

☎ +49-4191-508-0 · 📠 +49-4191-508-209

contact@wiska.de · www.wiska.com

<b>Tariff number</b>	74198090
<b>ETIM-Classification</b>	EC000441

## Recommended accessories

<b>EMMU 20</b>	10063143
<b>RDE 20 LT</b>	10063909
<b>BS 13</b>	10064010
<b>ORD-S 20</b>	10101759

26.06.2026

Your Contact:

**WISKA Hoppmann GmbH**

Kisdorfer Weg 28 · 24568 Kaltenkirchen · Germany

☎ +49-4191-508-0 · 📠 +49-4191-508-209

contact@wiska.de · www.wiska.com



Your Contact:

**WISKA Hoppmann GmbH**

Kisdorfer Weg 28 · 24568 Kaltenkirchen · Germany

☎ +49-4191-508-0 · 📠 +49-4191-508-209

contact@wiska.de · www.wiska.com