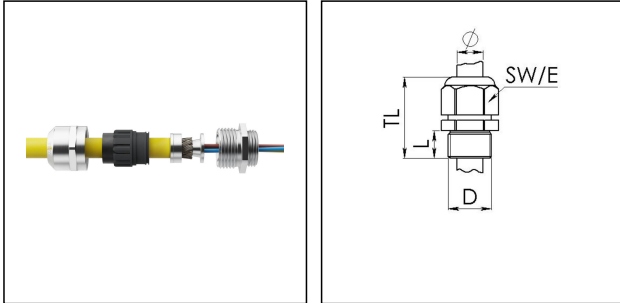


ESSKV 32 LT EMV-Z RW

EMC Railway cable gland LowTemp, stainless steel, M32



Products may differ in size, colour and appearance to those shown. If you require further information or customisation, please contact us directly.



| | |
|---------------------------------------|-----------------------------|
| Material cable gland | Stainless steel A2 (1.4305) |
| Material sealing gasket | Silicone |
| Material clamping cage | Polyamide UL94-V0 |
| Material earthing insert | Brass plated |
| Hazard level EN acc. 45545 | R22=HL3 / R23=HL3 / R24=HL3 |
| Protection class | IP68 (5 bar 30 min), IP69 |
| Thread type | M |
| Ø Connection thread D | 32 |
| Lead | 1,5 |
| Length screw-in thread L | 8 mm |
| Temp. range min | -60 °C |
| Temp. range max | 100 °C |
| Ø cable diameter min | 13 mm |
| Ø cable diameter max | 21 mm |
| Ø cable below cable shield max | 20 mm |
| Key width SW | 36 mm |
| Collar diameter (E) | 40 mm |
| Total length TL | 36 mm - 44 mm |
| Install. torques fitting | 20 N m |
| Install. torques cap nut | 20 N m |
| WISKA-Order no. | 10105869 |
| Type | ESSKV 32 LT EMV-Z RW |
| Packing unit | 5 |
| EAN number | 4007686013313 |
| Tariff number | 73269098 |

Your Contact:

WISKA Hoppmann GmbH
Kisdorfer Weg 28 · 24568 Kaltenkirchen · Germany
☎ +49-4191-508-0 · 📠 +49-4191-508-209
contact@wiska.de · www.wiska.com

ETIM-Classification

EC000441

Recommended accessories

| | |
|------------------|----------|
| RDE 32 LT | 10063934 |
| BS 21 | 10064014 |
| ESMU 32 | 10064192 |
| ORD-S 32 | 10101761 |

26.06.2026

Your Contact:

WISKA Hoppmann GmbH

Kisdorfer Weg 28 · 24568 Kaltenkirchen · Germany

 +49-4191-508-0 ·  +49-4191-508-209

contact@wiska.de · www.wiska.com



Your Contact:

WISKA Hoppmann GmbH

Kisdorfer Weg 28 · 24568 Kaltenkirchen · Germany

☎ +49-4191-508-0 · 📠 +49-4191-508-209

contact@wiska.de · www.wiska.com