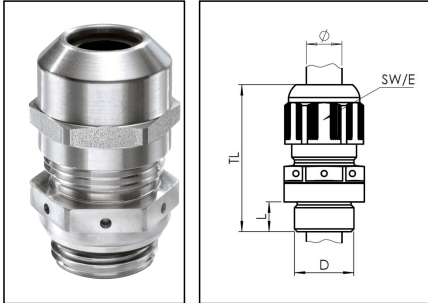


## ESSVG 40 RW

Railway pressure compensation cable gland, stainless steel, M40



Products may differ in size, colour and appearance to those shown. If you require further information or customisation, please contact us directly.



Material cable gland	Edelstahl A2 (1.4305)
Material sealing gasket	EPDM
Material clamping cage	Polyamide UL94-V0
Material membrane	ePTFE
Airflow at 70mbar	150 l/h
Protection class	IP68
Thread type	M
Ø Connection thread D	40
Lead	1,5
Length screw-in thread L	8 mm
Temp. range min	-40 °C
Temp. range max	100 °C
Ø cable diameter min	16 mm
Ø cable diameter max	28 mm
Key width SW	46 mm
Collar diameter (E)	50 mm
Total length TL	57 mm - 70 mm
Install. torques fitting	20 N m
Install. torques cap nut	20 N m
WISKA-Order no.	10105905
Type	ESSVG 40 RW
Packing unit	1
EAN number	4007686013672
Tariff number	73269098
ETIM-Classification	EC000441

Your Contact:

WISKA Hoppmann GmbH

Kisdorfer Weg 28 · 24568 Kaltenkirchen · Germany

☎ +49-4191-508-0 · 📠 +49-4191-508-209

contact@wiska.de · www.wiska.com

**Recommended accessories**



<b>BS 28</b>	10064016
<b>ESMU 40</b>	10064193
<b>RDE 40 RW</b>	10105375
<b>MFD 40/02/120-01/070 RW</b>	10105546
<b>MFD 40/04/100 RW</b>	10105933
<b>MFD 40/07/070 RW</b>	10105934

23.05.2026

Your Contact:

**WISKA Hoppmann GmbH**

Kisdorfer Weg 28 · 24568 Kaltenkirchen · Germany

 +49-4191-508-0 ·  +49-4191-508-209

contact@wiska.de · www.wiska.com



Your Contact:  
**WISKA Hoppmann GmbH**  
Kisdorfer Weg 28 · 24568 Kaltenkirchen · Germany  
☎ +49-4191-508-0 · 📠 +49-4191-508-209  
contact@wiska.de · www.wiska.com