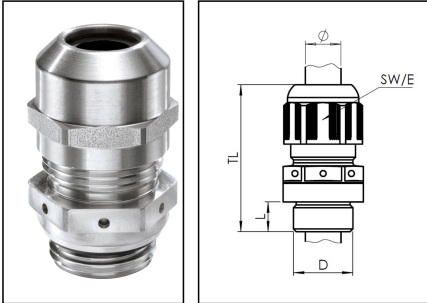


ESSVG 63 LT EMV-Z RW

EMC Railway pressure compensation cable gland, LowTemp, stainless steel, M63



Products may differ in size, colour and appearance to those shown. If you require further information or customisation, please contact us directly.



| | |
|--------------------------------|-----------------------|
| Material cable gland | Edelstahl A2 (1.4305) |
| Material sealing gasket | Silicone |
| Material clamping cage | Polyamide UL94-V0 |
| Material earthing insert | Brass plated |
| Material membrane | ePTFE |
| Airflow at 70mbar | 285 l/h |
| Protection class | IP68 |
| Thread type | M |
| Ø Connection thread D | 63 |
| Lead | 1,5 |
| Length screw-in thread L | 10 mm |
| Temp. range min | -60 °C |
| Temp. range max | 100 °C |
| Ø cable diameter min | 34 mm |
| Ø cable diameter max | 48 mm |
| Ø cable below cable shield max | 45 mm |
| Key width SW | 68 mm |
| Collar diameter (E) | 75 mm |
| Total length TL | 69 mm - 83 mm |
| Install. torques fitting | 40 N m |
| Install. torques cap nut | 40 N m |
| WISKA-Order no. | 10105926 |
| Type | ESSVG 63 LT EMV-Z RW |
| Packing unit | 1 |
| EAN number | 4007686013887 |

Your Contact:

WISKA Hoppmann GmbH

Kisdorfer Weg 28 · 24568 Kaltenkirchen · Germany

☎ +49-4191-508-0 · 📠 +49-4191-508-209

contact@wiska.de · www.wiska.com

| | |
|----------------------------|----------|
| Tariff number | 73269098 |
| ETIM-Classification | EC000441 |

Recommended accessories

| | |
|------------------|----------|
| RDE 63 LT | 10063967 |
| BS 48 | 10064019 |
| ESMU 63 | 10064195 |
| ORD-S 63 | 10101764 |

23.05.2026

Your Contact:

WISKA Hoppmann GmbH

Kisdorfer Weg 28 · 24568 Kaltenkirchen · Germany

☎ +49-4191-508-0 · 📠 +49-4191-508-209

contact@wiska.de · www.wiska.com



Your Contact:

WISKA Hoppmann GmbH

Kisdorfer Weg 28 · 24568 Kaltenkirchen · Germany

☎ +49-4191-508-0 · 📠 +49-4191-508-209

contact@wiska.de · www.wiska.com