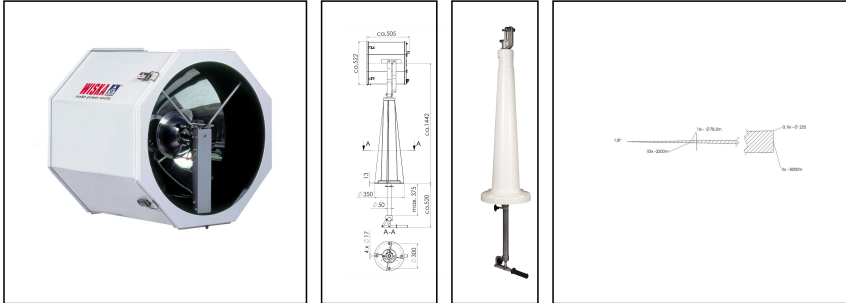


SX450 -1000-EO(220)-P10

Searchlight with Xenon lamp Ø 450mm 1000W 230V



Products may differ in size, colour and appearance to those shown. If you require further information or customisation, please contact us directly.

| | |
|---------------------------------|-------------------------|
| WISKA-Order no. | 10105941 |
| Type | SX450 -1000-EO(220)-P10 |
| Material | Stainless steel |
| Wattage | 1000 W |
| Colour | RAL 9016 |
| Surface | Powder coated |
| Voltage | 230 V |
| Type of Voltage | AC |
| Frequence | 50/60 Hz |
| Protection class | IP56 |
| Operational areas | Outdoor |
| Reflector | Glass |
| Focusing | fixed focus |
| Lightsource | Xenon lamp |
| Lightsource incl. | Yes |
| Luminous flux | 32000 lm |
| Average lamp durability | 2000 h |
| Light performance | immediately |
| Range (1 lux) | 8000 m |
| Light intensity mio/cd | 64 |
| Divergence | 1,8°/10 |
| Temp. range min | -25 °C |
| Temp. range max | 45 °C |
| Power supply, electronic | PSUX-E: 1000W outdoor |
| Type of cable gland | ESKVS 32, ESKVS 20 |

Your Contact:

WISKA Hoppmann GmbH

Kisdorfer Weg 28 · 24568 Kaltenkirchen · Germany

☎ +49-4191-508-0 · 📠 +49-4191-508-209

contact@wiska.de · www.wiska.com

| | |
|-----------------------------|--------------|
| Material cable gland | Polyamide |
| Type of cable | non-armoured |
| Globe colour | Clear |
| Mounting | Upside |
| Weight | 82 kg |
| Tariff number | 94054910 |

Remarks:

SX450: Searchlight with xenon short arc lamp 1000W, IP56 glass parabolic mirror 450mm

1000W

EO(220):Electronic power supply unit PSUX-EO outside IP66/67 + heater

P10: Cabin Control with Pedestal, CP 400/450, aluminium

Equipment:

- Toughened front glass
- Rubber sealing
- Quick fastening devices
- Ignition unit
- Stand-by heater
- Connection cable 3m
- Anti dazzle screen

Spare parts

| | |
|--|----------|
| SP-S-450 front frame + front glass | 22000018 |
| SP-SX/SH-450 Primary mirror | 22000019 |
| SP-SX/SH-450 Auxiliary reflector 100mm | 22000020 |
| SP-SX450 Xenon lamp 1000W | 22000022 |
| SP-SX450-Ignition unit XBO 1000W | 22000035 |
| SP-S-Quick releases clamp (4 pcs) | 22000050 |
| SP-SW-Gasket for searchlight housing | 22000116 |
| SP-SX450-PSUX-E-V4 Mounting plate 1000W | 22000797 |

12.05.2026

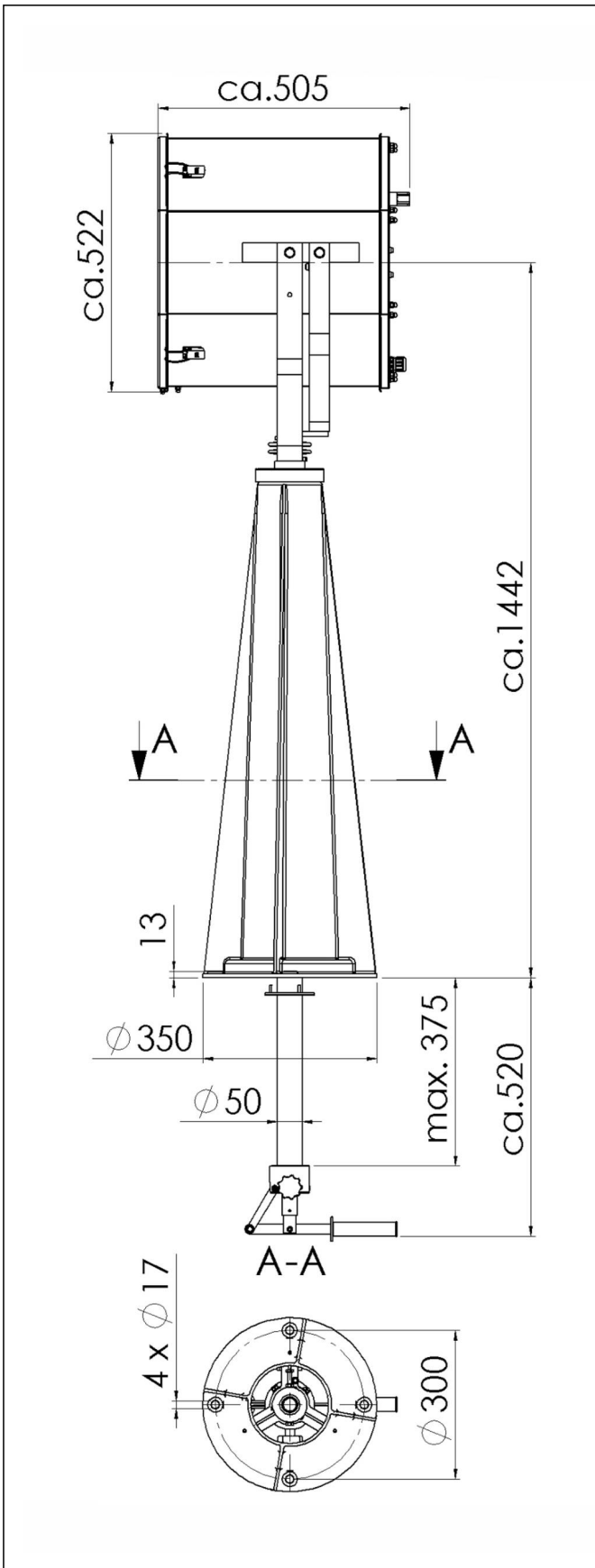
Your Contact:

WISKA Hoppmann GmbH

Kisdorfer Weg 28 · 24568 Kaltenkirchen · Germany

☎ +49-4191-508-0 · 📠 +49-4191-508-209

contact@wiska.de · www.wiska.com



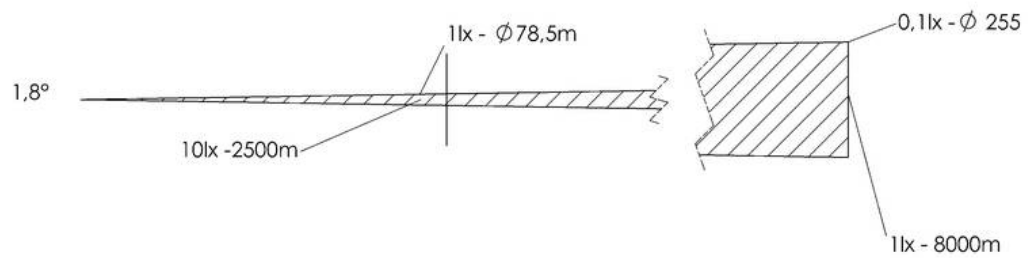
Your Contact:

WISKA Hoppmann GmbH

Kisdorfer Weg 28 · 24568 Kaltenkirchen · Germany

☎ +49-4191-508-0 · 📠 +49-4191-508-209

contact@wiska.de · www.wiska.com



Your Contact:

WISKA Hoppmann GmbH

Kisdorfer Weg 28 · 24568 Kaltenkirchen · Germany

☎ +49-4191-508-0 · 📠 +49-4191-508-209

contact@wiska.de · www.wiska.com