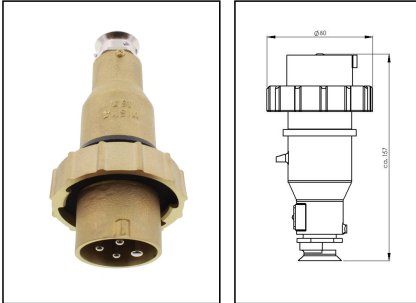


PL-16A-MS-500V-4P-3H-IP56

CEE-plug 16A 500V 3h, brass, IP56



Products may differ in size, colour and appearance to those shown. If you require further information or customisation, please contact us directly.

WISKA-Order no.	10106034
Type	PL-16A-MS-500V-4P-3H-IP56
Material	Brass
Voltage max. (V)	500 V
Current	16 A
Protection class	IP56
Temp. range min	-25 °C
Temp. range max	45 °C
Terminals/poles	3-pole + E
Clock face position	3h
plug insert	CEE
Type of cable gland	M 30 x 2,0
Ø cable diameter max	20,5 mm
Variations	on request
Tariff number	85366990

Remarks:

CEE plug 16A

Material: Brass/red brass, plastic bayonett cap

Equipment: without switch, without locking mechanism, according to

DIN EN 60309, CEE 17/2, IEC 309,

IP56

Terminal/Poles 3-pole + PE

Clock face position protective earth conductor 3h

1 cable entry M30x2

Your Contact:

WISKA Hoppmann GmbH

Kisdorfer Weg 28 · 24568 Kaltenkirchen · Germany

☎ +49-4191-508-0 · 📠 +49-4191-508-209

contact@wiska.de · www.wiska.com

Spare parts

SP-CEE/137/16

22000878

23.05.2026

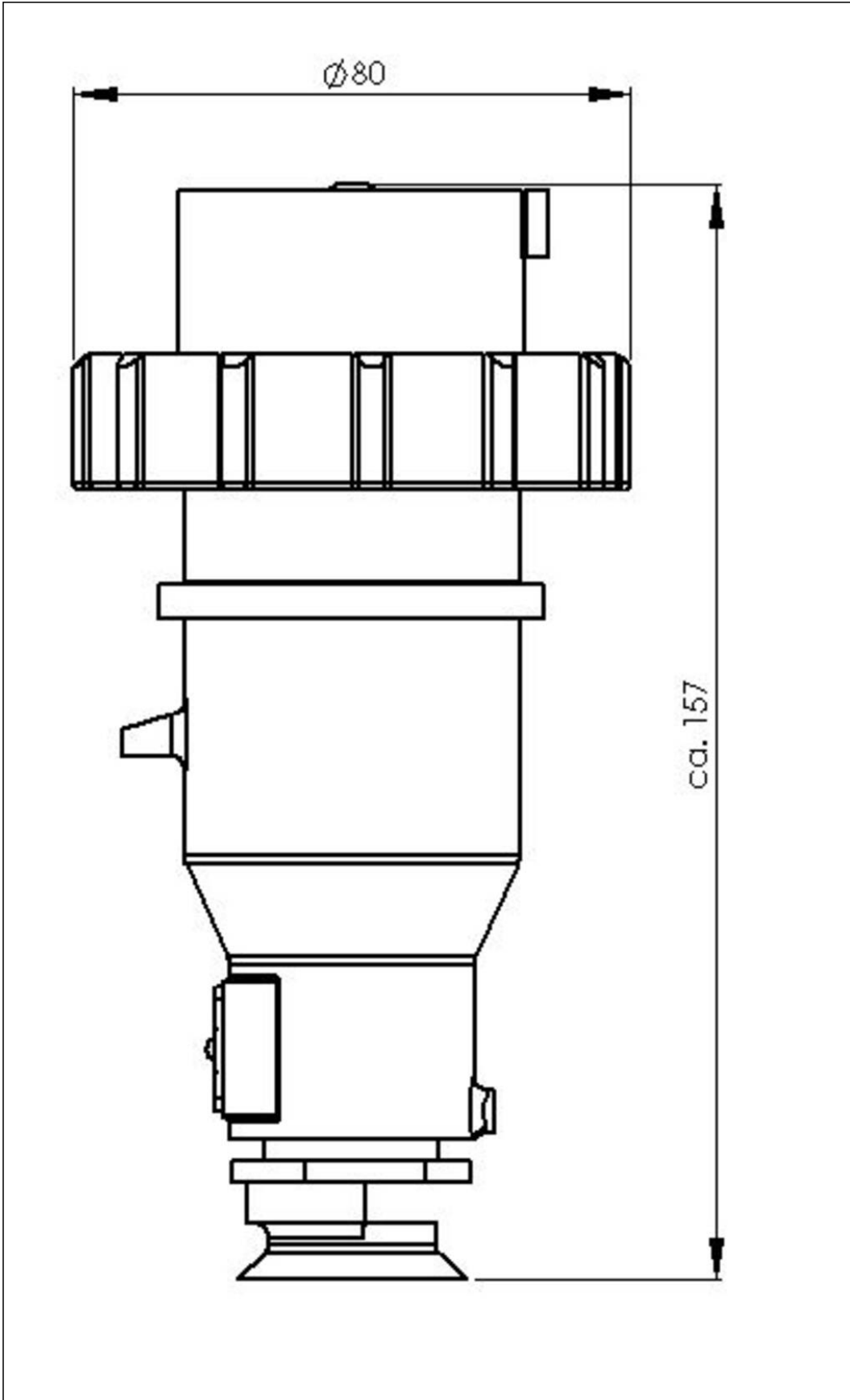
Your Contact:

WISKA Hoppmann GmbH

Kisdorfer Weg 28 · 24568 Kaltenkirchen · Germany

☎ +49-4191-508-0 · 📠 +49-4191-508-209

contact@wiska.de · www.wiska.com



Your Contact:

WISKA Hoppmann GmbH

Kisdorfer Weg 28 · 24568 Kaltenkirchen · Germany

☎ +49-4191-508-0 · 📠 +49-4191-508-209

contact@wiska.de · www.wiska.com