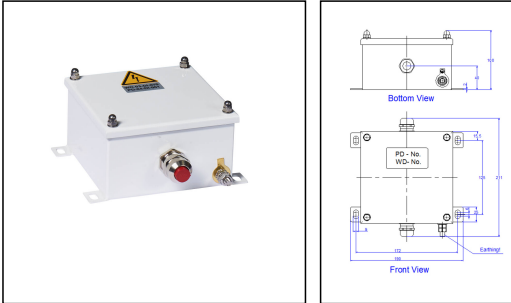


IBS1515/D11/IP/OUT

Junction box IBS1515, stainless steel, IP67



Products may differ in size, colour and appearance to those shown. If you require further information or customisation, please contact us directly.

Type	IBS1515/D11/IP/OUT
WISKA-Order no.	10106091
Material	Stainless steel
Protection class	IP66 / IP67
Temp. range min	-30 °C
Temp. range max	55 °C
Vibration (0-100Hz)	0,7 g
Operational areas	Indoor / Outdoor
Range of use	Network system
for camera	IP
Mounting	Surface mounting
Colour	RAL 9016
Surface	Powder coated
Voltage	100 V - 240 V
Type of Voltage	AC, 50-60Hz
Max. Power	2 A
Max. Wattage
	25 W
Weight	1,75 kg
Tariff number	85366990

Remarks:

Junction box type IBS1515/D11/IP/OUT
 made of stainless steel, IP66/67
 for camera type D11/VC2MP/OUT.
 Cable gland: 2x ESKV 20
 for cable type CAT7

Your Contact:

WISKA Hoppmann GmbH
 Kisdorfer Weg 28 · 24568 Kaltenkirchen · Germany
 ☎ +49-4191-508-0 · 📠 +49-4191-508-209
 contact@wiska.de · www.wiska.com

12.05.2026

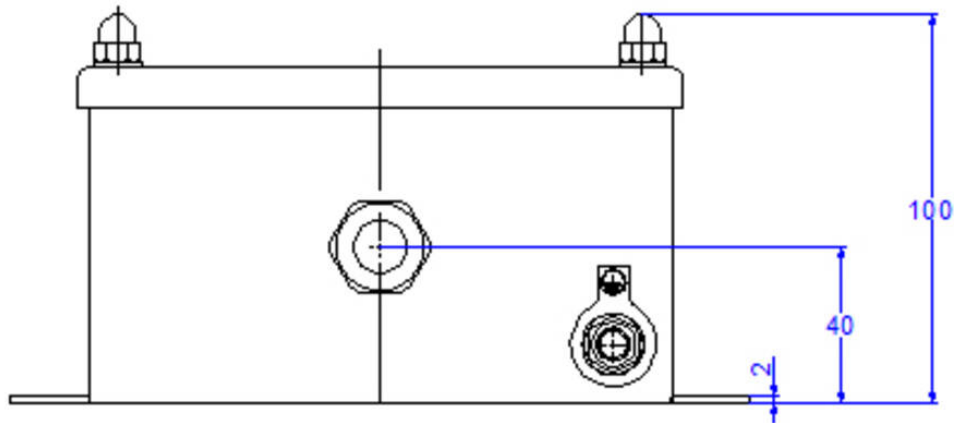
Your Contact:

WISKA Hoppmann GmbH

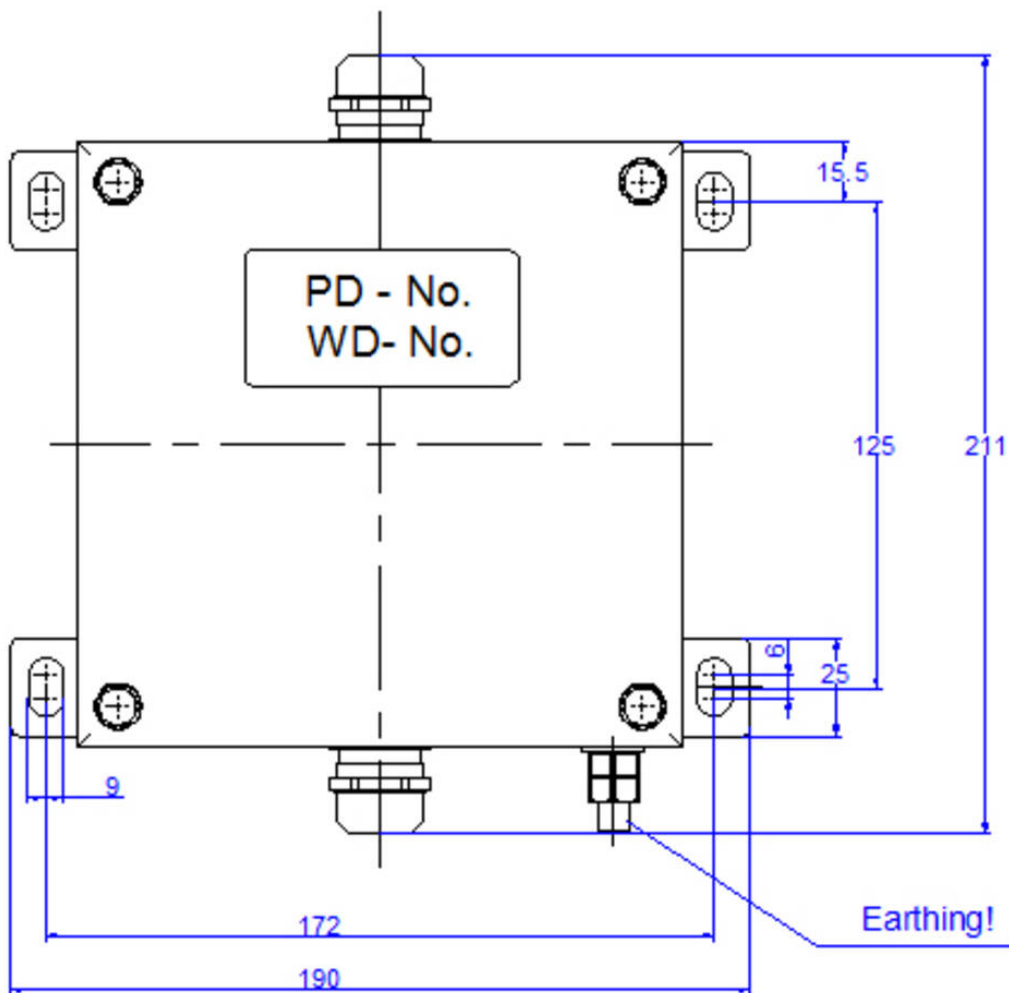
Kisdorfer Weg 28 · 24568 Kaltenkirchen · Germany

☎ +49-4191-508-0 · 📠 +49-4191-508-209

contact@wiska.de · www.wiska.com



Bottom View



Front View

Your Contact:

WISKA Hoppmann GmbH

Kisdorfer Weg 28 · 24568 Kaltenkirchen · Germany

☎ +49-4191-508-0 · 📠 +49-4191-508-209

contact@wiska.de · www.wiska.com