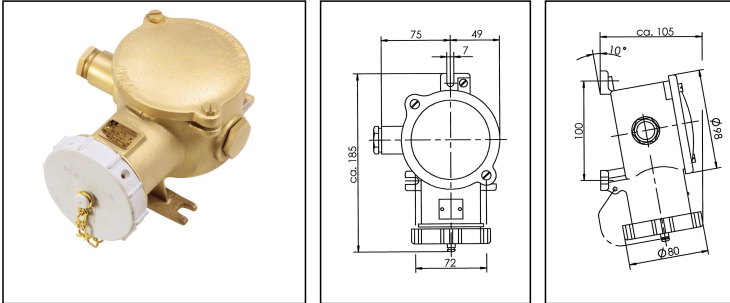


SO-16A-MS-L-500V-4P-3H-IP56-Z14

CEE-socket 16A 500V 3h, brass, IP56



Products may differ in size, colour and appearance to those shown. If you require further information or customisation, please contact us directly.

WISKA-Order no.	10106099
Type	SO-16A-MS-L-500V-4P-3H-IP56-Z14
Material	Brass
Material protective cap	Polyamide
Voltage max. (V)	500 V
Type of Voltage	AC
Current	16 A
Socket insert	3 - poles + PE
Protection class	IP56
Temp. range min	-25 °C
Temp. range max	45 °C
Clock face position	3h
Type of cable gland	M24x1,5 Z 14 / 12-14,5mm
Ø cable diameter min	12 mm
Ø cable diameter max	14,5 mm
Type of cable	armoured
Mounting	Surface mounting
Weight	2 kg
Variations	on request
Tariff number	85366990

Remarks:

CEE-power socket 16A without switch

Material: Brass/red brass, plastic bayonett cap

Equipment: without switch, without locking mechanism, according to

DIN EN 60309, CEE 17/2, IEC 309,

Your Contact:

WISKA Hoppmann GmbH

Kisdorfer Weg 28 · 24568 Kaltenkirchen · Germany

☎ +49-4191-508-0 · 📠 +49-4191-508-209

contact@wiska.de · www.wiska.com

Protection class: IP56

Terminal/Poles 3-pole + PE

Clock face position protective earthconductor: 3h

cablc entry: 1xM24/1,5 -O

for armoured cable 12-14,5mm in diameter

Recommended accessories

PL-16A-MS-500V-4P-3H-IP56	10106034
Key for 137/32+138/16	50012475

Spare parts

SP-181/4 Terminal block	22000352
SP-SI-CEE/138/16	22000877
SP-BC/FS-CEE/CHAIN/16A	22001011

23.05.2026

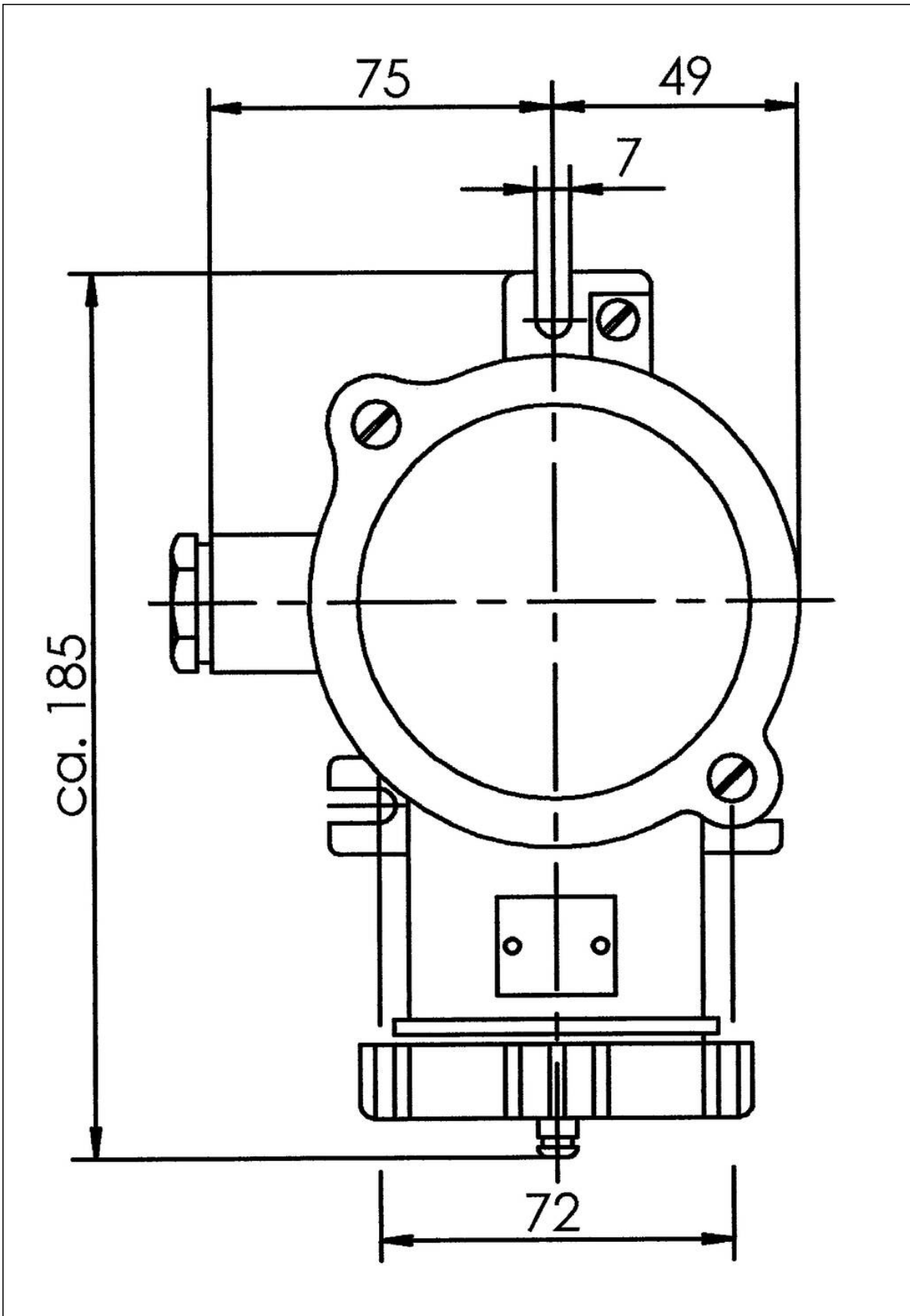
Your Contact:

WISKA Hoppmann GmbH

Kisdorfer Weg 28 · 24568 Kaltenkirchen · Germany

☎ +49-4191-508-0 · 📠 +49-4191-508-209

contact@wiska.de · www.wiska.com



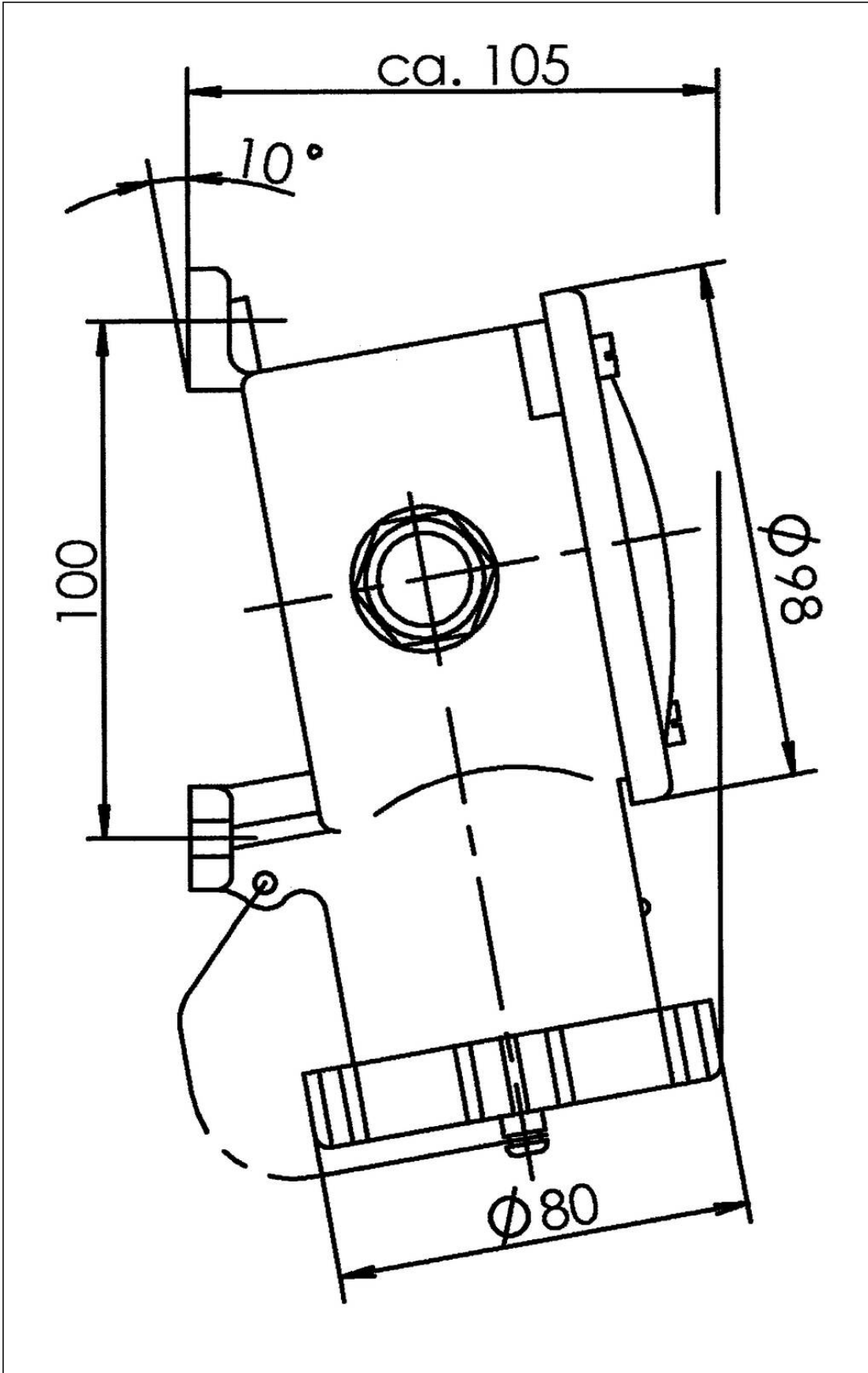
Your Contact:

WISKA Hoppmann GmbH

Kisdorfer Weg 28 · 24568 Kaltenkirchen · Germany

☎ +49-4191-508-0 · 📠 +49-4191-508-209

contact@wiska.de · www.wiska.com



Your Contact:

WISKA Hoppmann GmbH

Kisdorfer Weg 28 · 24568 Kaltenkirchen · Germany

☎ +49-4191-508-0 · 📠 +49-4191-508-209

contact@wiska.de · www.wiska.com