



<b>Power supply, electronic</b>	PSUX-E: 2000W outdoor
<b>Type of cable gland</b>	M 25 x 1,5
<b>Material cable gland</b>	Brass
<b>Type of cable</b>	non-armoured
<b>Ø cable diameter min</b>	8 mm
<b>Ø cable diameter max</b>	10,5 mm
<b>Globe colour</b>	Clear
<b>Mounting</b>	Upside
<b>Weight</b>	69 kg
<b>Tariff number</b>	94054910

Remarks:

SX450: Searchlight with xenon short arc lamp, 2000W, IP56 glass parabolic mirror 450mm  
2000W

EO(220): Electronic power supply unit PSUX-E 50-60Hz operating voltage, outside IP 66/67 + heater

P08: Cabin Control, C 400/450, aluminium

Equipment:

- Toughened front glass
- Rubber sealing
- Quick fastening devices
- Ignition unit
- Stand-by heater
- Connection cable 3m
- Anti dazzle screen

Spare parts

<b>SP-S-450 front frame + front glass</b>	22000018
<b>SP-SX/SH-450 Primary mirror</b>	22000019
<b>SP-SX/SH-450 Auxiliary reflector 100mm</b>	22000020
<b>SP-SX450 Blower kit for searchlight head</b>	22000025
<b>SP-SX450 Thermostat for blower 50°C</b>	22000026
<b>SP-S-Quick releases clamp (4 pcs)</b>	22000050
<b>SP-SW-Gasket for searchlight housing</b>	22000116
<b>SP-SX450 Xenon lamp Kit 2000W (from2012)</b>	22000234
<b>SP-S Folding bellow</b>	22000867
<b>SP-SX450-PSUX-E-V4 Mounting plate 2000W</b>	22000887

12.05.2026

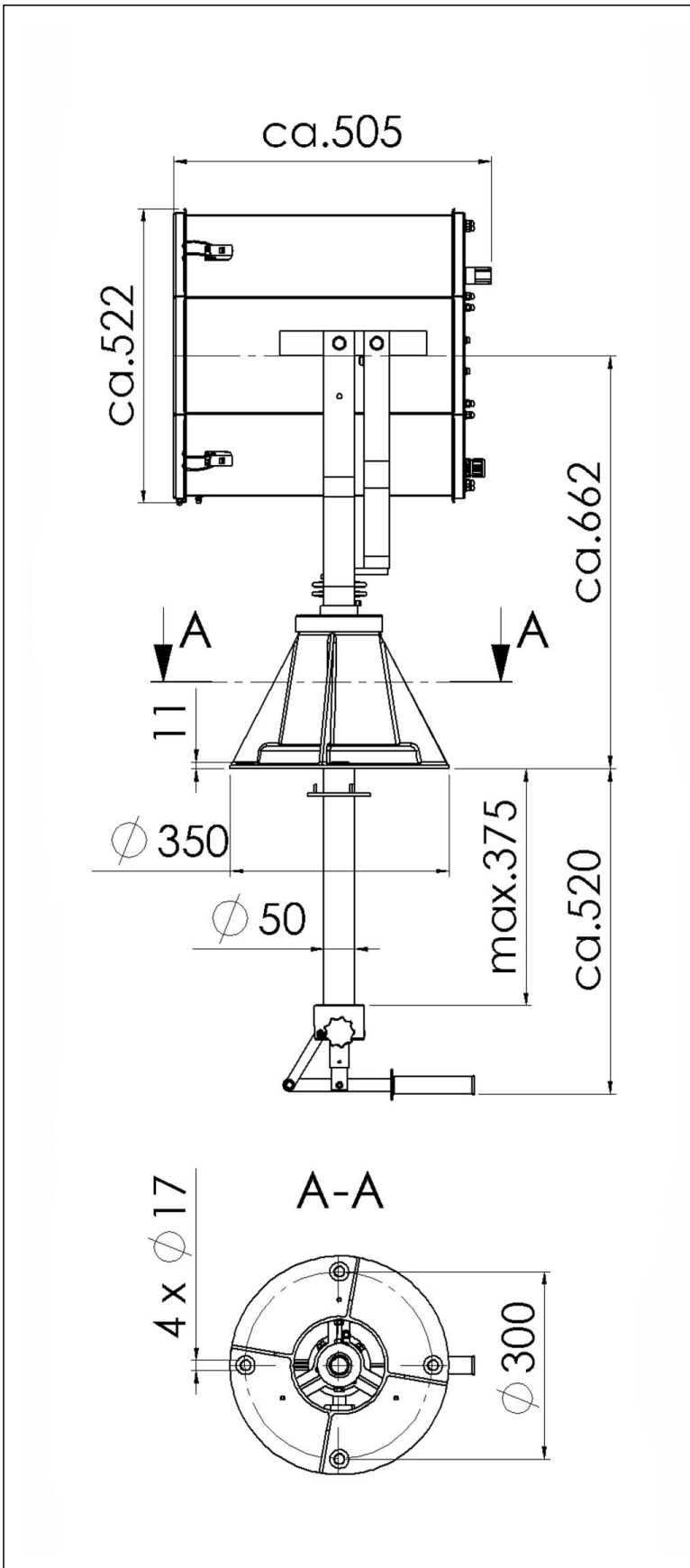
Your Contact:

**WISKA Hoppmann GmbH**

Kisdorfer Weg 28 · 24568 Kaltenkirchen · Germany

☎ +49-4191-508-0 · 📠 +49-4191-508-209

contact@wiska.de · www.wiska.com



Your Contact:

**WISKA Hoppmann GmbH**

Kisdorfer Weg 28 · 24568 Kaltenkirchen · Germany

☎ +49-4191-508-0 · 📠 +49-4191-508-209

contact@wiska.de · www.wiska.com