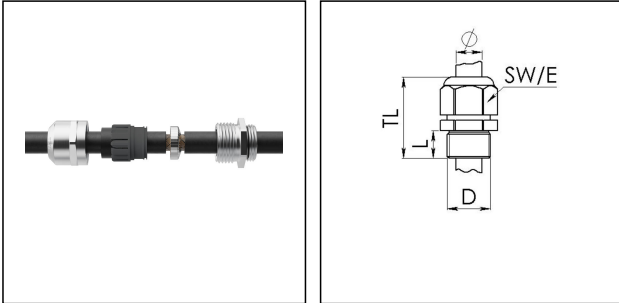


## EMSKV 32 EMV-S RW

EMC Railway cable gland, brass nickel-plated, with short thread, M32



Products may differ in size, colour and appearance to those shown. If you require further information or customisation, please contact us directly.



<b>Material cable gland</b>	Brass nickel-plated
<b>Material sealing gasket</b>	EPDM
<b>Material clamping cage</b>	Polyamide UL94-V0
<b>Material earthing insert</b>	Stainless steel 1.4310
<b>Hazard level EN acc. 45545</b>	R22=HL3 / R23=HL3 / R24=HL3
<b>Protection class</b>	IP68 (5 bar 30 min), IP69
<b>Thread type</b>	M
<b>Ø Connection thread D</b>	32
<b>Lead</b>	1,5
<b>Length screw-in thread L</b>	8 mm
<b>Temp. range min</b>	-40 °C
<b>Temp. range max</b>	100 °C
<b>Ø cable diameter min</b>	13 mm
<b>Ø cable diameter max</b>	21 mm
<b>Ø cable below cable shield max</b>	20 mm
<b>Key width SW</b>	36 mm
<b>Collar diameter (E)</b>	40 mm
<b>Total length TL</b>	36 mm - 44 mm
<b>Install. torques fitting</b>	20 N m
<b>Install. torques cap nut</b>	20 N m
<b>Surface</b>	Nickel-plated
<b>Order no. nickel-plated</b>	10106133
<b>Type</b>	EMSKV 32 EMV-S RW
<b>Packing unit</b>	25
<b>EAN number</b>	4007686017090

Your Contact:

WISKA Hoppmann GmbH

Kisdorfer Weg 28 · 24568 Kaltenkirchen · Germany

☎ +49-4191-508-0 · 📠 +49-4191-508-209

contact@wiska.de · www.wiska.com

<b>Tariff number</b>	74198090
<b>ETIM-Classification</b>	EC000441

**Recommended accessories**

<b>BS 21</b>	10064014
--------------	----------

23.05.2026

Your Contact:

**WISKA Hoppmann GmbH**

Kisdorfer Weg 28 · 24568 Kaltenkirchen · Germany

☎ +49-4191-508-0 · 📠 +49-4191-508-209

contact@wiska.de · www.wiska.com



Your Contact:

**WISKA Hoppmann GmbH**

Kisdorfer Weg 28 · 24568 Kaltenkirchen · Germany

☎ +49-4191-508-0 · 📠 +49-4191-508-209

contact@wiska.de · www.wiska.com