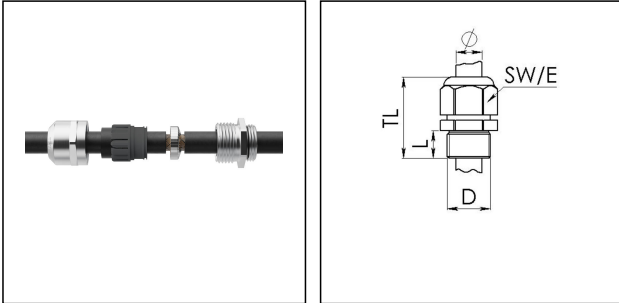


ESSKV 12 EMV-S RW

EMC Railway cable gland, stainless steel with short thread, M12



Products may differ in size, colour and appearance to those shown. If you require further information or customisation, please contact us directly.



| | |
|--------------------------------|-----------------------------|
| Material cable gland | Stainless steel A2 (1.4305) |
| Material sealing gasket | EPDM |
| Material clamping cage | Polyamide UL94-V0 |
| Material earthing insert | Stainless steel 1.4310 |
| Hazard level EN acc. 45545 | R22=HL3 / R23=HL3 / R24=HL3 |
| Protection class | IP69, IP68 (5 bar 30 min) |
| Thread type | M |
| Ø Connection thread D | 12 |
| Lead | 1,5 |
| Length screw-in thread L | 5 mm |
| Temp. range min | -40 °C |
| Temp. range max | 100 °C |
| Ø cable diameter min | 3 mm |
| Ø cable diameter max | 7 mm |
| Ø cable below cable shield max | 5 mm |
| Key width SW | 17 mm |
| Collar diameter (E) | 19 mm |
| Total length TL | 23 mm - 30 mm |
| Install. torques fitting | 4 N m |
| Install. torques cap nut | 4 N m |
| WISKA-Order no. | 10106137 |
| Type | ESSKV 12 EMV-S RW |
| Packing unit | 10 |
| EAN number | 4007686017137 |
| Tariff number | 73269098 |

Your Contact:

WISKA Hoppmann GmbH

Kisdorfer Weg 28 · 24568 Kaltenkirchen · Germany

☎ +49-4191-508-0 · 📠 +49-4191-508-209

contact@wiska.de · www.wiska.com

ETIM-Classification

EC000441

Recommended accessories

BS 7

10064005

23.05.2026

Your Contact:

WISKA Hoppmann GmbH

Kisdorfer Weg 28 · 24568 Kaltenkirchen · Germany

 +49-4191-508-0 ·  +49-4191-508-209

contact@wiska.de · www.wiska.com



Your Contact:

WISKA Hoppmann GmbH

Kisdorfer Weg 28 · 24568 Kaltenkirchen · Germany

☎ +49-4191-508-0 · 📠 +49-4191-508-209

contact@wiska.de · www.wiska.com