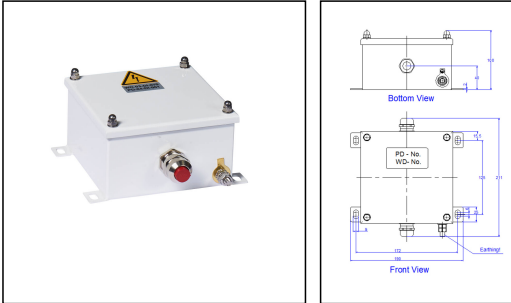


## IBS1515/D11/IP/OUT/EP

Junction box IBS1515, stainless steel, IP67



Products may differ in size, colour and appearance to those shown. If you require further information or customisation, please contact us directly.

<b>Type</b>	IBS1515/D11/IP/OUT/EP
<b>WISKA-Order no.</b>	10106198
<b>Material</b>	Stainless steel
<b>Protection class</b>	IP66 / IP67
<b>Temp. range min</b>	-30 °C
<b>Temp. range max</b>	55 °C
<b>Vibration (0-100Hz)</b>	0,7 g
<b>Operational areas</b>	Indoor / Outdoor
<b>Range of use</b>	Network system
<b>for camera</b>	IP
<b>Mounting</b>	Surface mounting
<b>Colour</b>	RAL 9016
<b>Surface</b>	Powder coated
<b>Voltage</b>	100 V - 240 V
<b>Type of Voltage</b>	AC, 50-60Hz
<b>Max. Power</b>	2 A
<b>Max. Wattage&lt;br/&gt;</b>	25 W
<b>Weight</b>	1,75 kg
<b>Tariff number</b>	85366990

Remarks:

Junction box type IBS1515/D11/IP/OUT/EP  
 made of stainless steel, IP66/67  
 for camera type D11/VC2MP/OUT.  
 Cable gland: 3x ESKV 20  
 for cable type CAT7 and power supply (230VAC)

Your Contact:

**WISKA Hoppmann GmbH**  
 Kisdorfer Weg 28 · 24568 Kaltenkirchen · Germany  
 ☎ +49-4191-508-0 · 📠 +49-4191-508-209  
 contact@wiska.de · www.wiska.com

**Spare parts**

**SP-CCTV Switching power supply 25W 12VDC**

**22000531**

12.05.2026

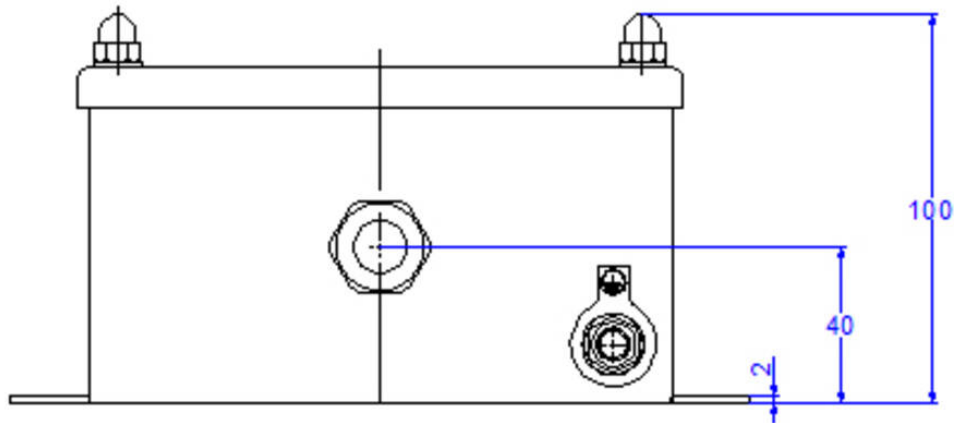
Your Contact:

**WISKA Hoppmann GmbH**

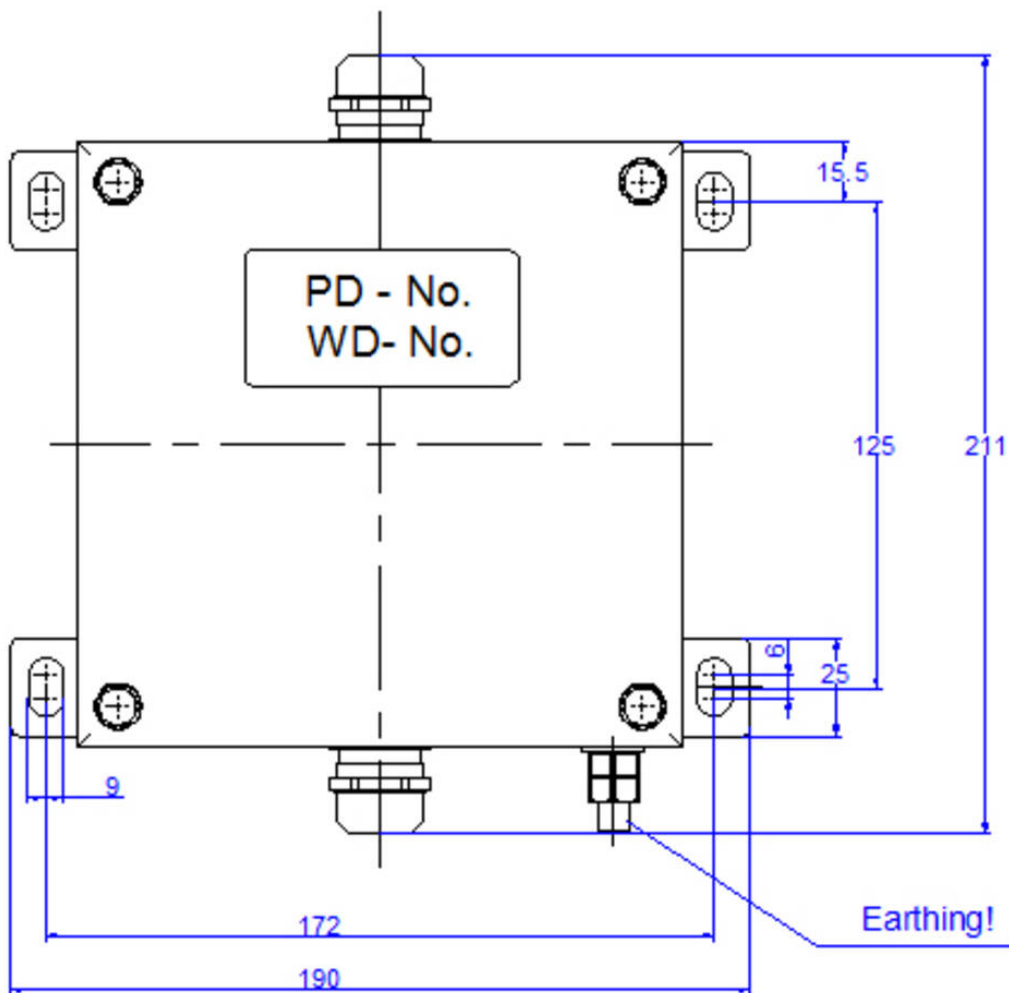
Kisdorfer Weg 28 · 24568 Kaltenkirchen · Germany

 +49-4191-508-0 ·  +49-4191-508-209

contact@wiska.de · www.wiska.com



Bottom View



Front View

Your Contact:

**WISKA Hoppmann GmbH**

Kisdorfer Weg 28 · 24568 Kaltenkirchen · Germany

☎ +49-4191-508-0 · 📠 +49-4191-508-209

contact@wiska.de · www.wiska.com