

## EMCGV 8-030 EMV-Z

EMC Compression gland, brass nickel-plated, M8



Products may differ in size, colour and appearance to those shown. If you require further information or customisation, please contact us directly.



<b>Material cable gland</b>	Brass nickel-plated
<b>Material sealing gasket</b>	EPDM
<b>Temp. range min</b>	-40 °C
<b>Temp. range max</b>	120 °C
<b>Protection class</b>	IP68 (5 bar 30 min)
<b>Thread type</b>	M
<b>Ø Connection thread D</b>	8
<b>Lead</b>	1,25
<b>Length screw-in thread L</b>	5 mm
<b>Ø cable diameter min</b>	2 mm
<b>Ø cable diameter max</b>	3,3 mm
<b>Key width SW</b>	11 mm
<b>Collar diameter (E)</b>	12 mm
<b>Total length TL</b>	15 mm - 18,5 mm
<b>Install. torques fitting</b>	2 N m
<b>Install. torques cap nut</b>	2 N m
<b>Order no. nickel-plated</b>	10106442
<b>Type</b>	EMCGV 8-030 EMV-Z
<b>Packing unit</b>	50
<b>EAN number</b>	4007686021554
<b>Tariff number</b>	74198090
<b>ETIM-Classification</b>	EC000441

12.05.2026

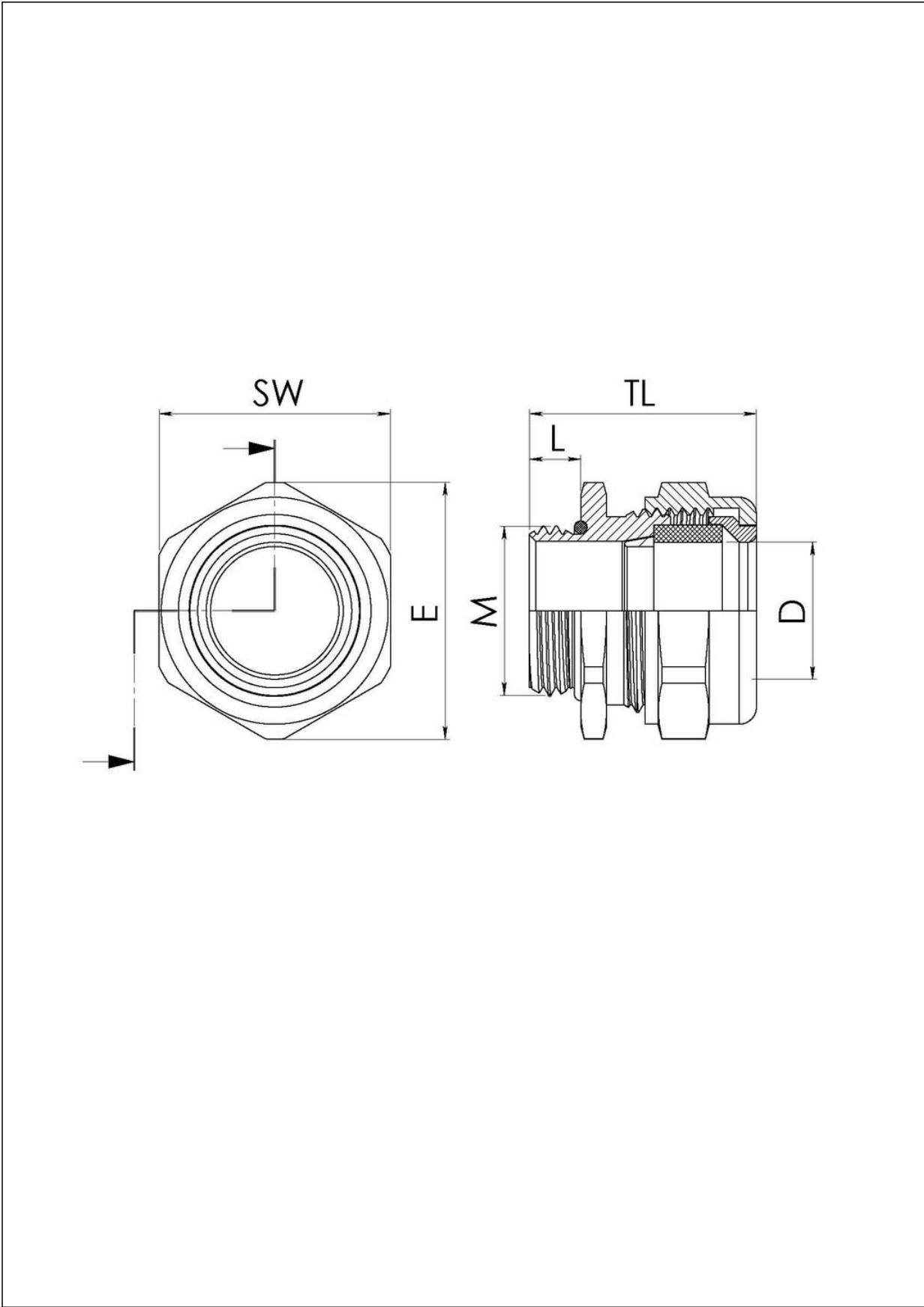
Your Contact:

**WISKA Hoppmann GmbH**

Kisdorfer Weg 28 · 24568 Kaltenkirchen · Germany

☎ +49-4191-508-0 · 📠 +49-4191-508-209

contact@wiska.de · www.wiska.com



Your Contact:  
**WISKA Hoppmann GmbH**  
Kisdorfer Weg 28 · 24568 Kaltenkirchen · Germany  
☎ +49-4191-508-0 · 📠 +49-4191-508-209  
contact@wiska.de · www.wiska.com