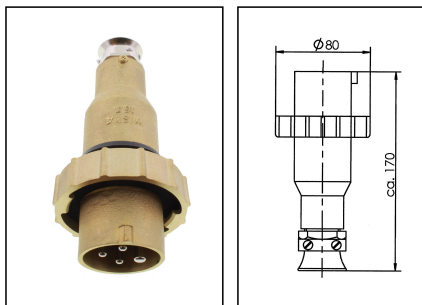


## PL-16A-MS-500V-4P-9H-IP56

CEE-plug 16A 500V 9h, brass, IP56



Products may differ in size, colour and appearance to those shown. If you require further information or customisation, please contact us directly.

<b>WISKA-Order no.</b>	10106606
<b>Type</b>	PL-16A-MS-500V-4P-9H-IP56
<b>Material</b>	Brass
<b>Voltage max. (V)</b>	500 V
<b>Current</b>	16 A
<b>Protection class</b>	IP56
<b>Temp. range min</b>	-25 °C
<b>Temp. range max</b>	45 °C
<b>Terminals/poles</b>	3-pole + E
<b>Clock face position</b>	9h
<b>plug insert</b>	CEE
<b>Type of cable gland</b>	M 30 x 2,0
<b>Ø cable diameter max</b>	20,5 mm
<b>Variations</b>	on request
<b>Tariff number</b>	85366990

Remarks:

CEE plug 16A

Material: Brass/red brass, plastic  
bayonett cap

Equipment: without switch, without  
locking mechanism, according to  
DIN EN 60309, CEE 17/2, IEC 309, IP56

Terminal/Poles 3-pole + PE

Clock face position protective earth  
conductor 9h

Your Contact:

**WISKA Hoppmann GmbH**  
Kisdorfer Weg 28 · 24568 Kaltenkirchen · Germany  
☎ +49-4191-508-0 · 📠 +49-4191-508-209  
contact@wiska.de · www.wiska.com

26.06.2026

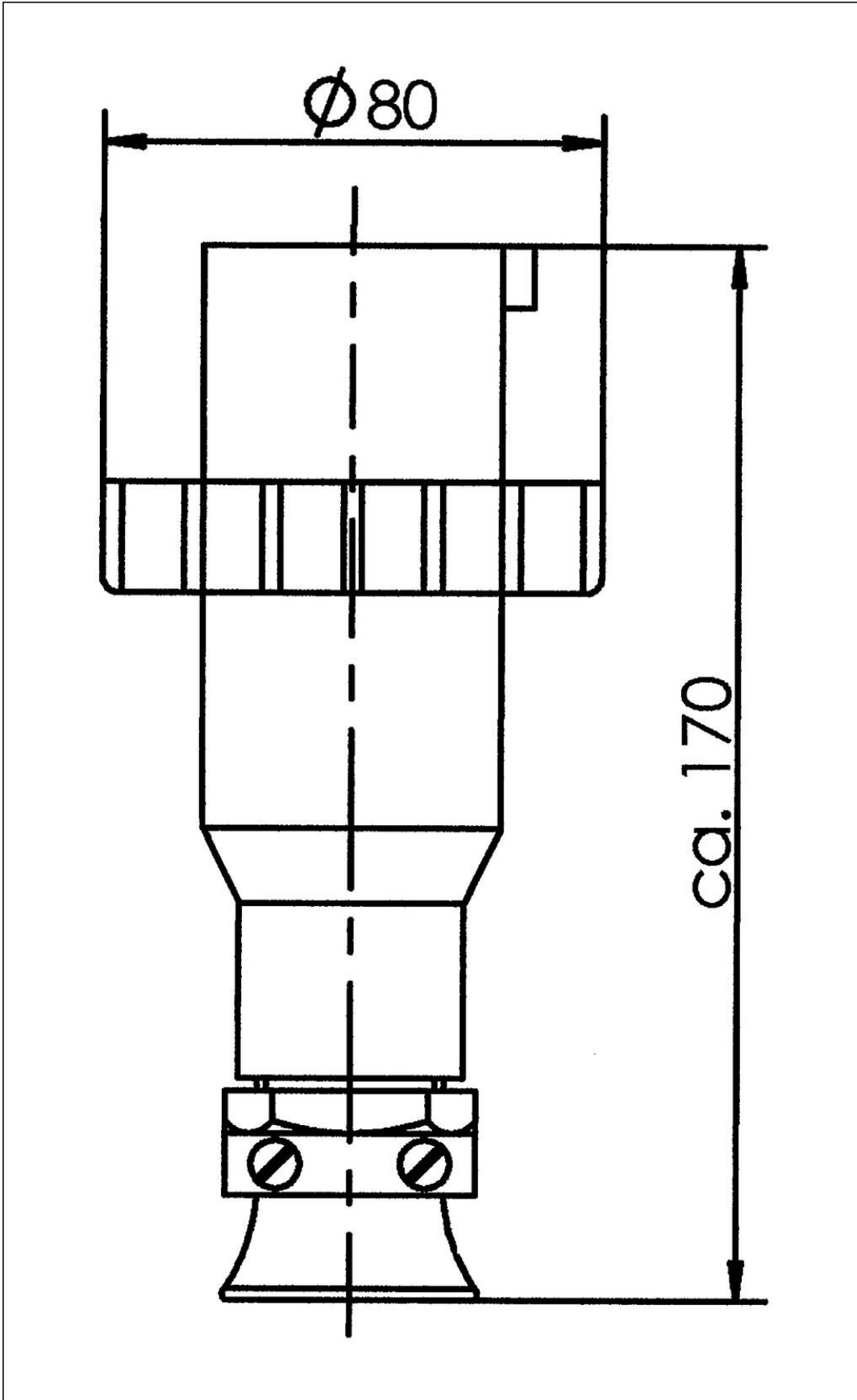
Your Contact:

**WISKA Hoppmann GmbH**

Kisdorfer Weg 28 · 24568 Kaltenkirchen · Germany

☎ +49-4191-508-0 · 📠 +49-4191-508-209

contact@wiska.de · www.wiska.com



Your Contact:

**WISKA Hoppmann GmbH**

Kisdorfer Weg 28 · 24568 Kaltenkirchen · Germany

☎ +49-4191-508-0 · 📠 +49-4191-508-209

contact@wiska.de · www.wiska.com