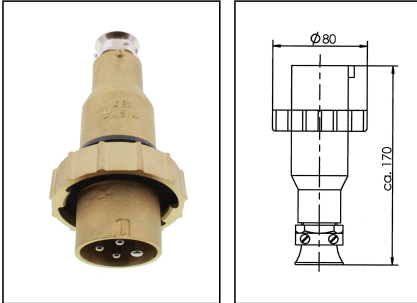


PL-16A-MS-500V-4P-11H-IP56

CEE-plug 16A 500V 11h, brass, IP56



Products may differ in size, colour and appearance to those shown. If you require further information or customisation, please contact us directly.

WISKA-Order no.	10106608
Type	PL-16A-MS-500V-4P-11H-IP56
Material	Brass
Voltage max. (V)	500 V
Current	16 A
Protection class	IP56
Temp. range min	-25 °C
Temp. range max	45 °C
Terminals/poles	3-pole + E
Clock face position	11h
plug insert	CEE
Type of cable gland	M 30 x 2,0
Ø cable diameter max	20,5 mm
Variations	on request
Tariff number	85366990

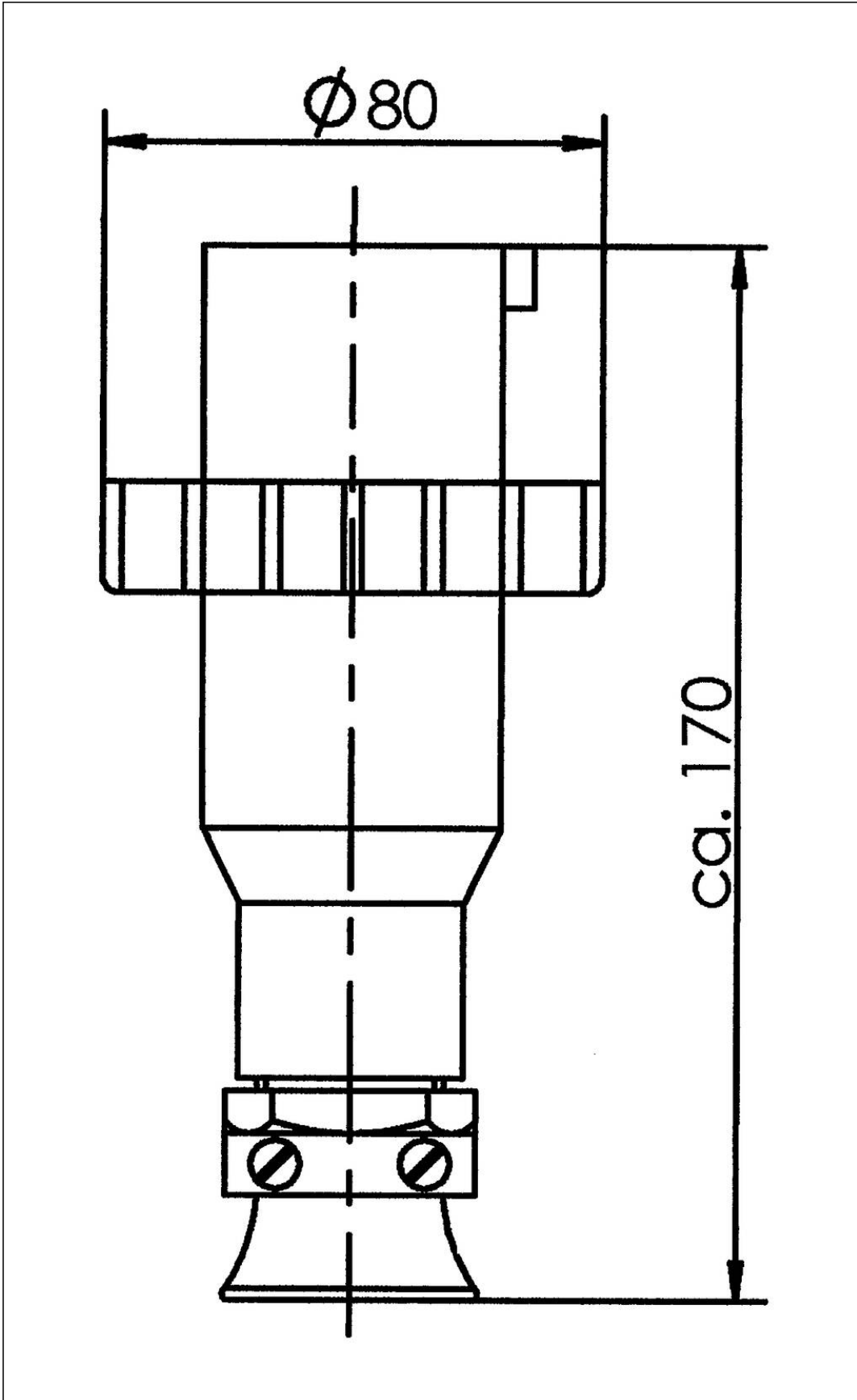
Remarks:

CEE plug 16A
brass/red brass
according to DIN EN 60309, CEE 17/2, IEC 309
3-pole + PE
clock face position protective
earth conductor 11h

26.06.2026

Your Contact:

WISKA Hoppmann GmbH
Kisdorfer Weg 28 · 24568 Kaltenkirchen · Germany
☎ +49-4191-508-0 · 📠 +49-4191-508-209
contact@wiska.de · www.wiska.com



Your Contact:

WISKA Hoppmann GmbH

Kisdorfer Weg 28 · 24568 Kaltenkirchen · Germany

☎ +49-4191-508-0 · 📠 +49-4191-508-209

contact@wiska.de · www.wiska.com