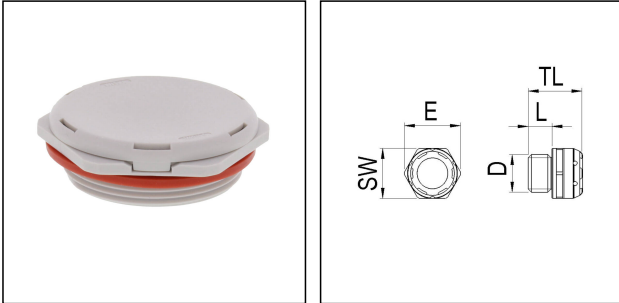


## EVPS 40 HF LG

Pressure compensation unit, polyamide, RAL 7035, M40



Products may differ in size, colour and appearance to those shown. If you require further information or customisation, please contact us directly.



<b>Material cable gland</b>	Polyamide
<b>Material membrane</b>	ePTFE
<b>Material sealing gasket</b>	Silicone
<b>Airflow at 70mbar</b>	720 l/h
<b>Airflow at 200mbar</b>	1440 l/h
<b>Temp. range min</b>	-40 °C
<b>Temp. range max</b>	100 °C
<b>Glow wire test</b>	750 °C
<b>Protection class</b>	IP68 / IP69
<b>Thread type</b>	M
<b>Ø Connection thread D</b>	40
<b>Lead</b>	1,5
<b>Length screw-in thread L</b>	9 mm
<b>Key width SW</b>	46 mm
<b>Collar diameter (E)</b>	51 mm
<b>Tightening torque</b>	6 N m
<b>Total length TL</b>	15,4 mm
<b>Product Color</b>	RAL 7035
<b>Order no. RAL 7035</b>	10106617
<b>Type</b>	EVPS 40 HF LG
<b>Packing unit</b>	10
<b>EAN number</b>	4007686024852
<b>Tariff number</b>	39269097
<b>ETIM-Classification</b>	EC000441

Your Contact:

**WISKA Hoppmann GmbH**

Kisdorfer Weg 28 · 24568 Kaltenkirchen · Germany

☎ +49-4191-508-0 · 📠 +49-4191-508-209

contact@wiska.de · www.wiska.com

**Recommended accessories**

**EMUG 40 LG**

10060775

23.05.2026

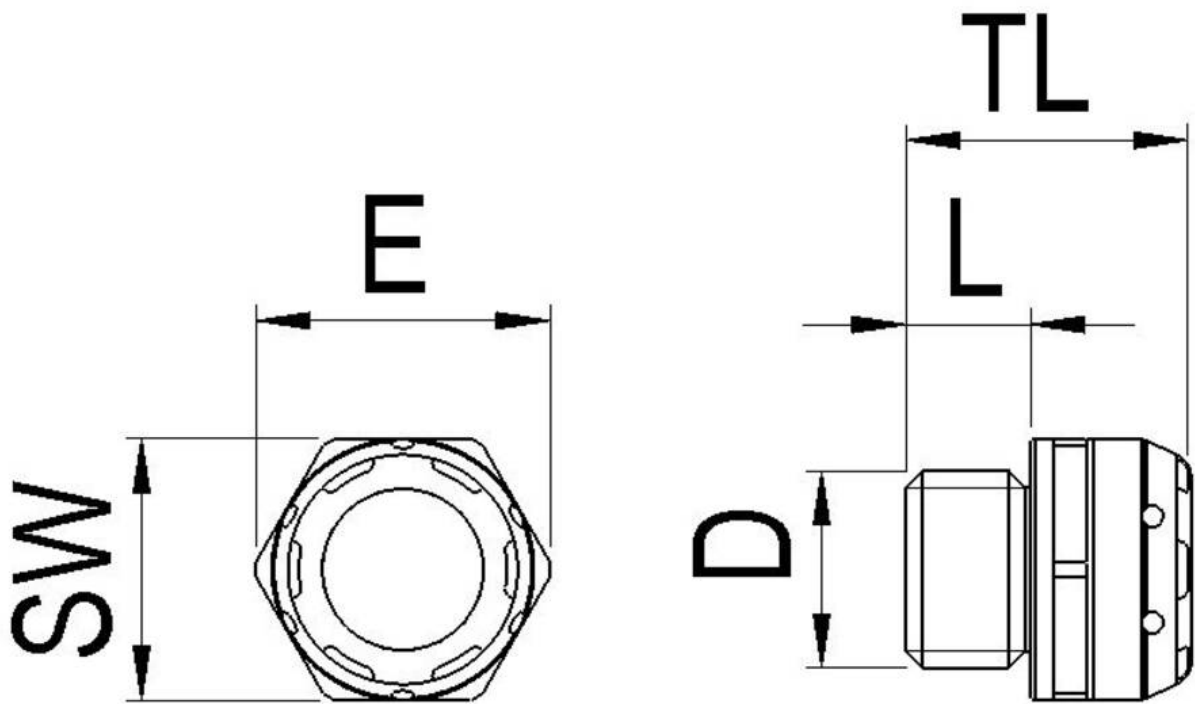
Your Contact:

**WISKA Hoppmann GmbH**

Kisdorfer Weg 28 · 24568 Kaltenkirchen · Germany

☎ +49-4191-508-0 · 📠 +49-4191-508-209

contact@wiska.de · www.wiska.com



Your Contact:

**WISKA Hoppmann GmbH**

Kisdorfer Weg 28 · 24568 Kaltenkirchen · Germany

☎ +49-4191-508-0 · 📠 +49-4191-508-209

✉ contact@wiska.de · www.wiska.com