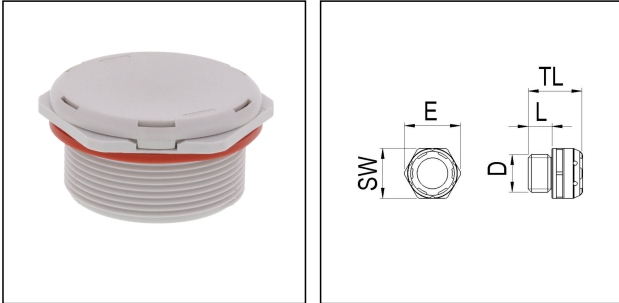


## EVPS-L 40 HF LG

Pressure compensation unit long, polyamide, RAL 7035, M40



Products may differ in size, colour and appearance to those shown. If you require further information or customisation, please contact us directly.



<b>Material cable gland</b>	Polyamide
<b>Material membrane</b>	ePTFE
<b>Material sealing gasket</b>	Silicone
<b>Airflow at 70mbar</b>	720 l/h
<b>Airflow at 200mbar</b>	1440 l/h
<b>Temp. range min</b>	-40 °C
<b>Temp. range max</b>	100 °C
<b>Glow wire test</b>	750 °C
<b>Protection class</b>	IP68 / IP69
<b>Thread type</b>	M
<b>Ø Connection thread D</b>	40
<b>Lead</b>	1,5
<b>Length screw-in thread L</b>	18 mm
<b>Key width SW</b>	46 mm
<b>Collar diameter (E)</b>	51 mm
<b>Tightening torque</b>	6 N m
<b>Total length TL</b>	24,4 mm
<b>Product Color</b>	RAL 7035
<b>Order no. RAL 7035</b>	10106618
<b>Type</b>	EVPS-L 40 HF LG
<b>Packing unit</b>	10
<b>EAN number</b>	4007686024876
<b>Tariff number</b>	39269097
<b>ETIM-Classification</b>	EC000441

Your Contact:

**WISKA Hoppmann GmbH**

Kisdorfer Weg 28 · 24568 Kaltenkirchen · Germany

☎ +49-4191-508-0 · 📠 +49-4191-508-209

contact@wiska.de · www.wiska.com

**Recommended accessories**

**EMUG 40 LG**

10060775

23.05.2026

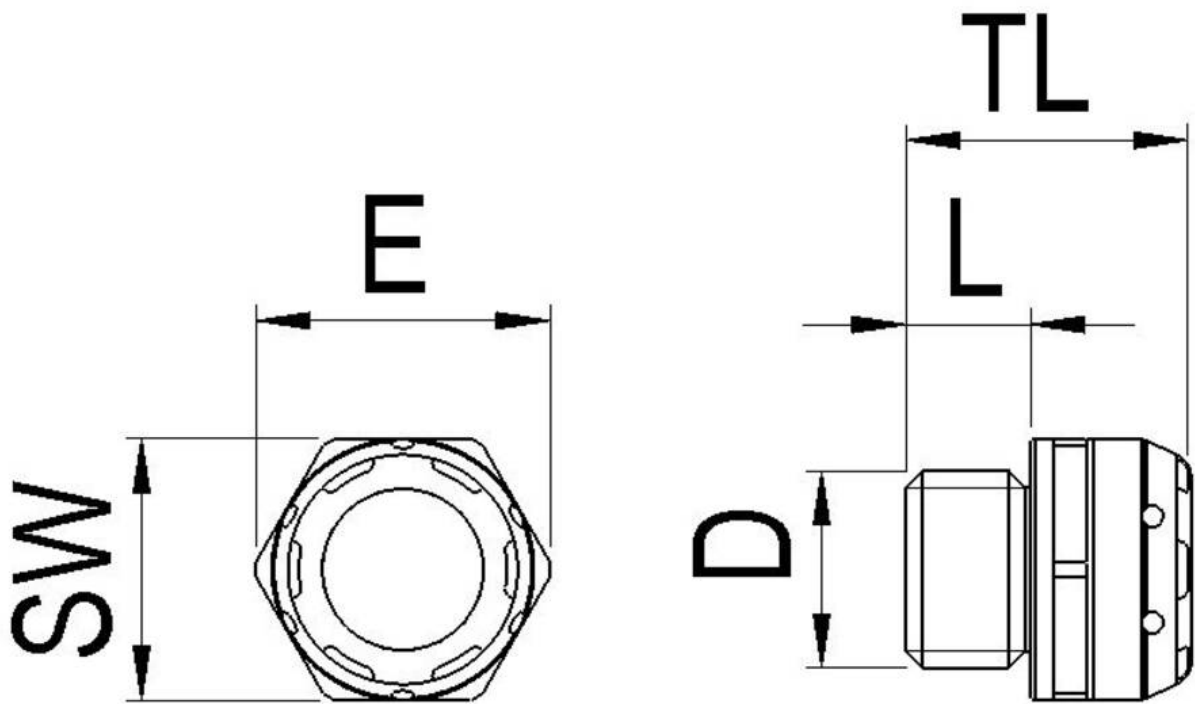
Your Contact:

**WISKA Hoppmann GmbH**

Kisdorfer Weg 28 · 24568 Kaltenkirchen · Germany

 +49-4191-508-0 ·  +49-4191-508-209

contact@wiska.de · www.wiska.com



Your Contact:

**WISKA Hoppmann GmbH**

Kisdorfer Weg 28 · 24568 Kaltenkirchen · Germany

☎ +49-4191-508-0 · 📠 +49-4191-508-209

✉ contact@wiska.de · www.wiska.com