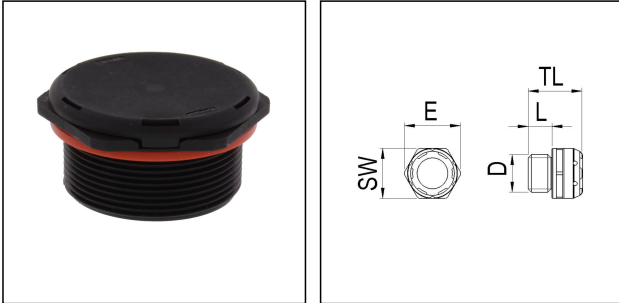


EVPS-L 40 HF BK

Pressure compensation unit long, polyamide, RAL 9005, M40



Products may differ in size, colour and appearance to those shown. If you require further information or customisation, please contact us directly.



Material cable gland	Polyamide
Material membrane	ePTFE
Material sealing gasket	Silicone
Airflow at 70mbar	720 l/h
Airflow at 200mbar	1440 l/h
Temp. range min	-40 °C
Temp. range max	100 °C
Glow wire test	750 °C
Protection class	IP68 / IP69
Thread type	M
Ø Connection thread D	40
Lead	1,5
Length screw-in thread L	18 mm
Key width SW	46 mm
Collar diameter (E)	51 mm
Tightening torque	6 N m
Total length TL	24,4 mm
Product Color	RAL 9005
Order no. RAL 9005	10106622
Type	EVPS-L 40 HF BK
Packing unit	10
EAN number	4007686024951
Tariff number	39269097
ETIM-Classification	EC000441

Your Contact:

WISKA Hoppmann GmbH

Kisdorfer Weg 28 · 24568 Kaltenkirchen · Germany

☎ +49-4191-508-0 · 📠 +49-4191-508-209

contact@wiska.de · www.wiska.com

Recommended accessories

EMUG 40 BK

10061785

23.05.2026

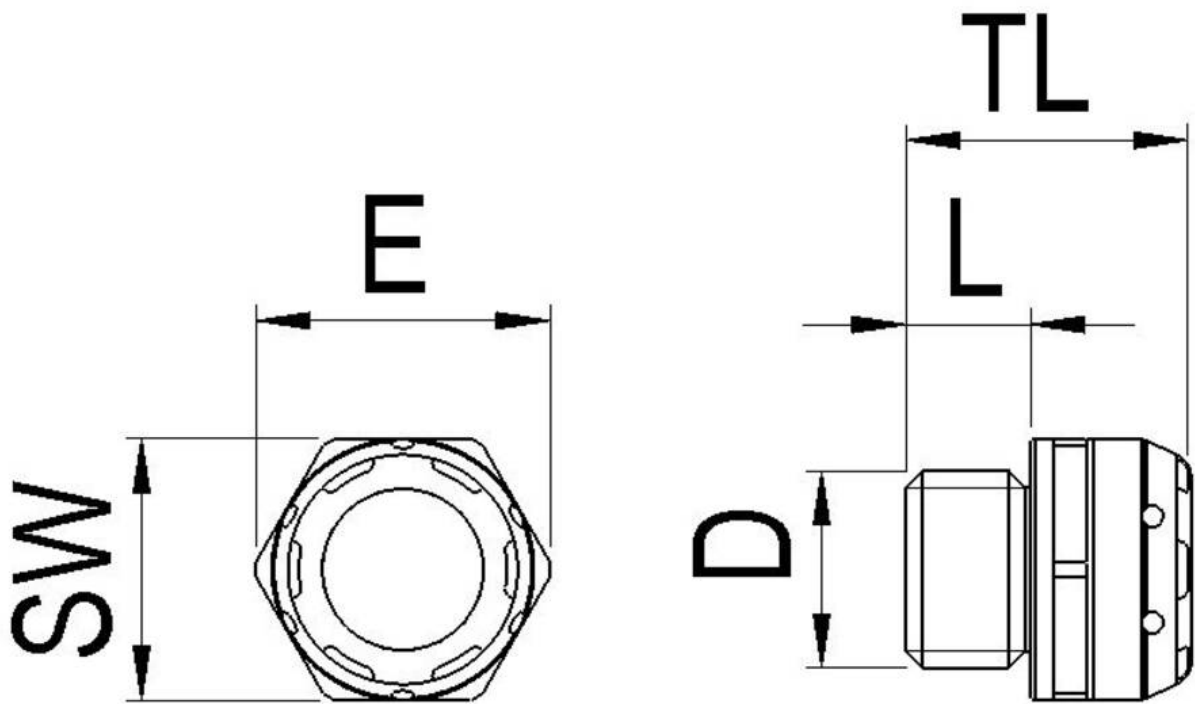
Your Contact:

WISKA Hoppmann GmbH

Kisdorfer Weg 28 · 24568 Kaltenkirchen · Germany

 +49-4191-508-0 ·  +49-4191-508-209

contact@wiska.de · www.wiska.com



Your Contact:

WISKA Hoppmann GmbH

Kisdorfer Weg 28 · 24568 Kaltenkirchen · Germany

☎ +49-4191-508-0 · 📠 +49-4191-508-209

✉ contact@wiska.de · 🌐 www.wiska.com