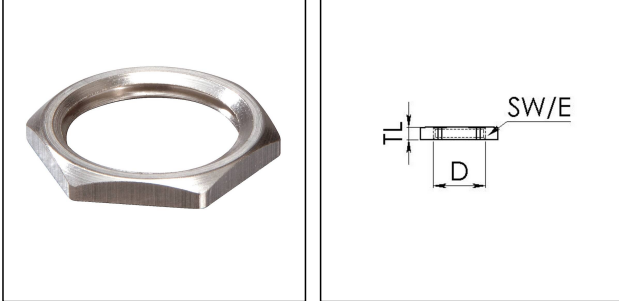


EMMU 8

Locknut, brass nickel-plated, M8x1,25



Products may differ in size, colour and appearance to those shown. If you require further information or customisation, please contact us directly.



| | |
|--------------------------------|---------------------|
| Material | Brass nickel-plated |
| Surface | Nickel-plated |
| Temp. range min | -200 °C |
| Temp. range max | 250 °C |
| Thread type | M |
| Ø Connection thread D | 8 |
| Lead | 1,25 |
| Key width SW | 11 mm |
| Collar diameter (E) | 12 mm |
| Total length TL | 2,5 mm |
| Order no. nickel-plated | 10106828 |
| Type | EMMU 8 |
| Packing unit | 100 |
| EAN number | 4007686028119 |
| Tariff number | 74153300 |
| ETIM-Classification | EC000940 |

23.05.2026

Your Contact:

WISKA Hoppmann GmbH

Kisdorfer Weg 28 · 24568 Kaltenkirchen · Germany

☎ +49-4191-508-0 · 📠 +49-4191-508-209

contact@wiska.de · www.wiska.com



Your Contact:

WISKA Hoppmann GmbH

Kisdorfer Weg 28 · 24568 Kaltenkirchen · Germany

☎ +49-4191-508-0 · 📠 +49-4191-508-209

contact@wiska.de · www.wiska.com