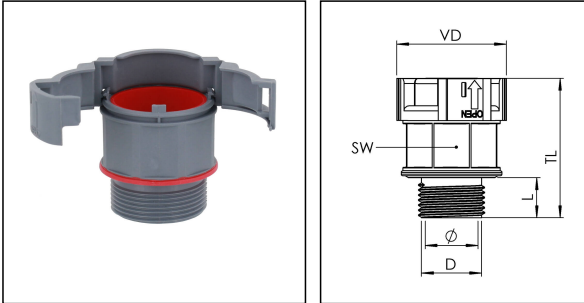


EBFS-23-25-BG

Conduit fitting, straight, non-metallic, RAL 7031, NW 23 / M25



Products may differ in size, colour and appearance to those shown. If you require further information or customisation, please contact us directly.



| | |
|-----------------------------------|--------------------|
| Material Conduit fitting | polyamide UL94-V0 |
| Material Connection thread | polyamide UL94-V0 |
| Material sealing gasket | TPU |
| Protection class | IP66, IP68 |
| Temp. range min | -40 °C |
| Temp. range max | 100 °C |
| Operational areas | EN 45545 - Railway |
| NW | 23 |
| Thread type | M |
| Ø Connection thread D | 25 |
| Lead | 1,5 |
| Length screw-in thread L | 14 mm |
| Ø closure VD | 42,3 mm |
| Ø inside | 19 mm |
| Key width SW | 36 mm |
| Total length TL | 50,3 mm |
| Type of conduit fitting | straight |
| UL 1696 | Yes |
| Product Color | RAL 7031 |
| Type | EBFS-23-25-BG |
| Order no. RAL 7031 | 10106852 |
| Packing unit | 25 |
| EAN number | 4007686032949 |
| Tariff number | 39174000 |
| ETIM-Classification | EC001176 |

Your Contact:

WISKA Hoppmann GmbH

Kisdorfer Weg 28 · 24568 Kaltenkirchen · Germany

☎ +49-4191-508-0 · 📠 +49-4191-508-209

contact@wiska.de · www.wiska.com

Remarks:

UL approval only in conjunction with UL approved corrugated conduits

Recommended accessories

| | |
|---------------------|----------|
| BCA-S-23-BG | 10107083 |
| BCAV-S-23-BG | 10107100 |
| BCIV-S-23-BG | 10107116 |
| BCA-23-D-BG | 10107130 |
| BCAV-23-D-BG | 10107144 |
| BCAB-L-23-BG | 10109195 |
| BCAV-H-23-BG | 10109211 |
| BCIB-H-23-BG | 10109234 |

26.06.2026

Your Contact:

WISKA Hoppmann GmbH

Kisdorfer Weg 28 · 24568 Kaltenkirchen · Germany

☎ +49-4191-508-0 · 📠 +49-4191-508-209

contact@wiska.de · www.wiska.com



Your Contact:

WISKA Hoppmann GmbH

Kisdorfer Weg 28 · 24568 Kaltenkirchen · Germany

☎ +49-4191-508-0 · 📠 +49-4191-508-209

contact@wiska.de · www.wiska.com