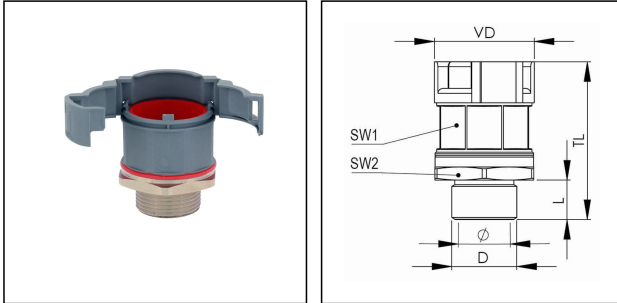


## EMBFS-10-20-BG

Conduit fitting, straight, plastic/brass nickel-plated, RAL 7031, NW 10 / M20



Products may differ in size, colour and appearance to those shown. If you require further information or customisation, please contact us directly.



<b>Material Conduit fitting</b>	polyamide UL94-V0
<b>Material Connection thread</b>	Brass nickel-plated
<b>Material sealing gasket</b>	TPU
<b>Protection class</b>	IP68, IP66
<b>Temp. range min</b>	-40 °C
<b>Temp. range max</b>	100 °C
<b>Operational areas</b>	EN 45545 - Railway
<b>NW</b>	10
<b>Thread type</b>	M
<b>Ø Connection thread D</b>	20
<b>Lead</b>	1,5
<b>Length screw-in thread L</b>	12 mm
<b>Ø closure VD</b>	24,8 mm
<b>Ø inside</b>	7 mm
<b>Key width SW1</b>	20 mm
<b>Key width SW2</b>	22 mm
<b>Total length TL</b>	46,8 mm
<b>Type of conduit fitting</b>	straight
<b>UL 1696</b>	Yes
<b>Product Color</b>	RAL 7031
<b>Type</b>	EMBFS-10-20-BG
<b>Order no. RAL 7031</b>	10106879
<b>Packing unit</b>	50
<b>EAN number</b>	4007686033496
<b>Tariff number</b>	74122000

Your Contact:

WISKA Hoppmann GmbH

Kisdorfer Weg 28 · 24568 Kaltenkirchen · Germany

☎ +49-4191-508-0 · 📠 +49-4191-508-209

contact@wiska.de · www.wiska.com

**ETIM-Classification**

EC001176

Remarks:

UL approval only in conjunction with UL approved corrugated conduits

#### Recommended accessories

<b>EMMU 20</b>	10063143
<b>BCA-S-10-BG</b>	10107079
<b>BCAV-S-10-BG</b>	10107096
<b>BCIV-S-10-BG</b>	10107112
<b>BCA-10-D-BG</b>	10107127
<b>BCAV-10-D-BG</b>	10107141
<b>BCAB-L-10-BG</b>	10109191
<b>BCAV-H-10-BG</b>	10109208
<b>BCIB-H-10-BG</b>	10109230

12.05.2026

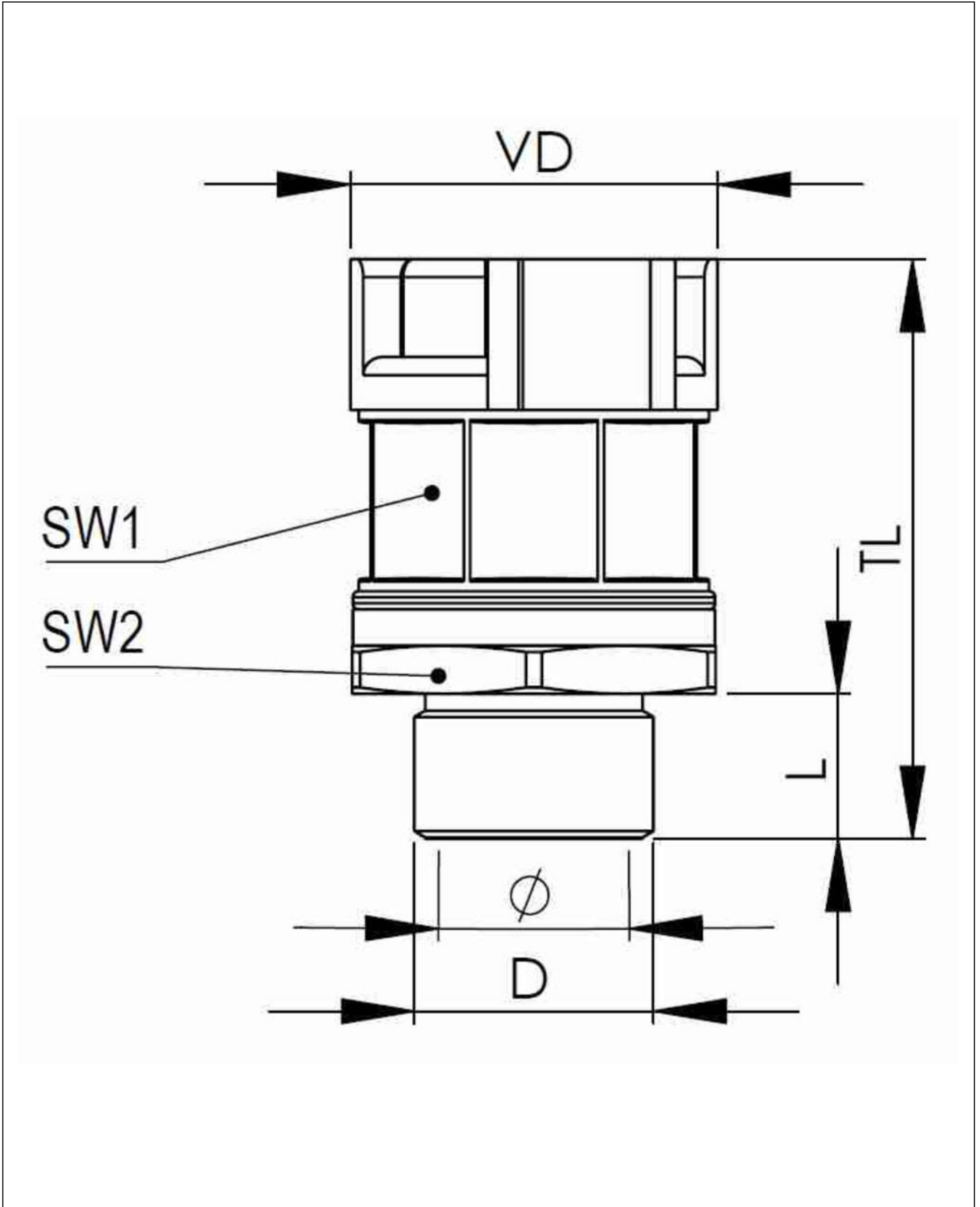
Your Contact:

**WISKA Hoppmann GmbH**

Kisdorfer Weg 28 · 24568 Kaltenkirchen · Germany

☎ +49-4191-508-0 · 📠 +49-4191-508-209

contact@wiska.de · www.wiska.com



Your Contact:

**WISKA Hoppmann GmbH**

Kisdorfer Weg 28 · 24568 Kaltenkirchen · Germany

☎ +49-4191-508-0 · 📠 +49-4191-508-209

contact@wiska.de · www.wiska.com