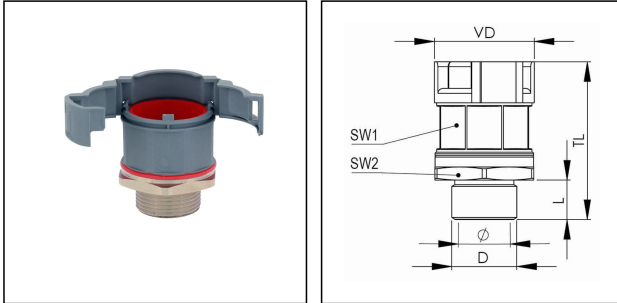


EMBFS-14-20-BG

Conduit fitting, straight, plastic/brass nickel-plated, RAL 7031, NW 14 / M20



Products may differ in size, colour and appearance to those shown. If you require further information or customisation, please contact us directly.



Material Conduit fitting	polyamide UL94-V0
Material Connection thread	Brass nickel-plated
Material sealing gasket	TPU
Protection class	IP68, IP66
Temp. range min	-40 °C
Temp. range max	100 °C
Operational areas	EN 45545 - Railway
NW	14
Thread type	M
Ø Connection thread D	20
Lead	1,5
Length screw-in thread L	12 mm
Ø closure VD	30,1 mm
Ø inside	12 mm
Key width SW1	25 mm
Key width SW2	27 mm
Total length TL	49 mm
Type of conduit fitting	straight
UL 1696	No
Product Color	RAL 7031
Type	EMBFS-14-20-BG
Order no. RAL 7031	10106882
Packing unit	50
EAN number	4007686033557
Tariff number	74122000

Your Contact:

WISKA Hoppmann GmbH

Kisdorfer Weg 28 · 24568 Kaltenkirchen · Germany

☎ +49-4191-508-0 · 📠 +49-4191-508-209

contact@wiska.de · www.wiska.com

ETIM-Classification

EC001176

Recommended accessories

EMMU 20	10063143
BCA-S-14-BG	10107081
BCAV-S-14-BG	10107098
BCIV-S-14-BG	10107114
BCAB-L-14-BG	10109193
BCIB-H-14-BG	10109232

12.05.2026

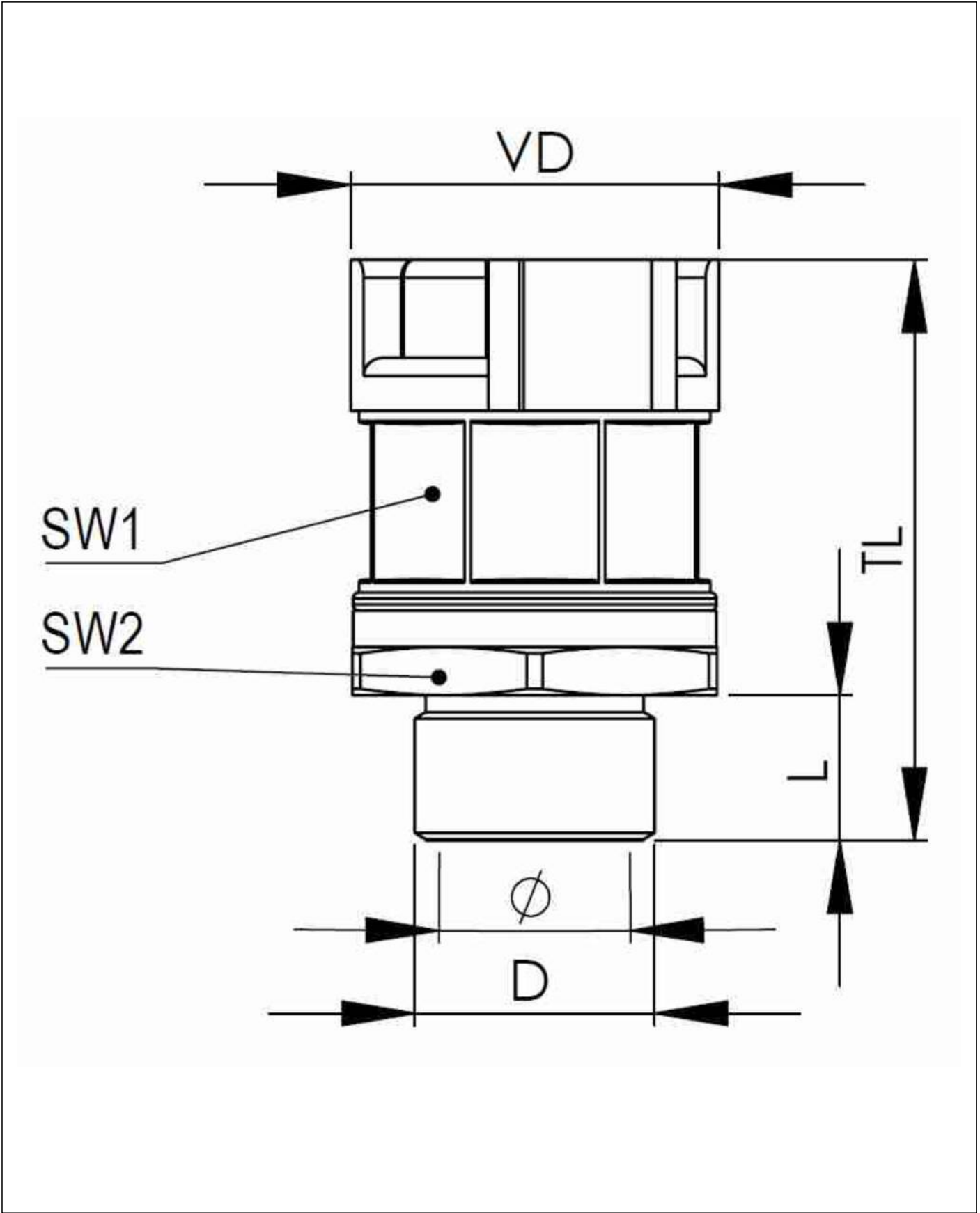
Your Contact:

WISKA Hoppmann GmbH

Kisdorfer Weg 28 · 24568 Kaltenkirchen · Germany

☎ +49-4191-508-0 · 📠 +49-4191-508-209

contact@wiska.de · www.wiska.com



Your Contact:
WISKA Hoppmann GmbH
Kisdorfer Weg 28 · 24568 Kaltenkirchen · Germany
☎ +49-4191-508-0 · 📠 +49-4191-508-209
contact@wiska.de · www.wiska.com

Other technical data on request / subject to change without notice