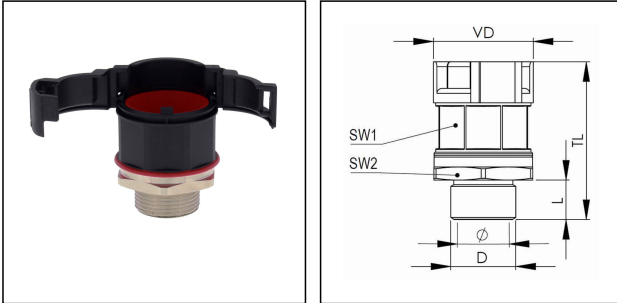


EMBFS-07-12-BK

Conduit fitting, straight, plastic/brass nickel-plated, RAL 9005, NW 07 / M12



Products may differ in size, colour and appearance to those shown. If you require further information or customisation, please contact us directly.



Material Conduit fitting	polyamide UL94-V0
Material Connection thread	Brass nickel-plated
Material sealing gasket	TPU
Protection class	IP68, IP66
Temp. range min	-40 °C
Temp. range max	100 °C
Operational areas	EN 45545 - Railway
NW	7
Thread type	M
Ø Connection thread D	12
Lead	1,5
Length screw-in thread L	9,5 mm
Ø closure VD	21,3 mm
Ø inside	6 mm
Key width SW1	17 mm
Key width SW2	18 mm
Total length TL	41,9 mm
Type of conduit fitting	straight
UL 1696	No
Product Color	RAL 9005
Type	EMBFS-07-12-BK
Order no. RAL 9005	10106893
Packing unit	50
EAN number	4007686033779
Tariff number	74122000

Your Contact:

WISKA Hoppmann GmbH

Kisdorfer Weg 28 · 24568 Kaltenkirchen · Germany

☎ +49-4191-508-0 · 📠 +49-4191-508-209

contact@wiska.de · www.wiska.com

ETIM-Classification

EC001176

Recommended accessories

EMMU 12	10063141
BCAV-S-07-BK	10107086
BCA-S-07-BK	10109175
BCIV-S-07-BK	10109179
BCAB-L-07-BK	10109181
BCAV-H-07-BK	10109199
BCIB-H-07-BK	10109220

12.05.2026

Your Contact:

WISKA Hoppmann GmbH

Kisdorfer Weg 28 · 24568 Kaltenkirchen · Germany

☎ +49-4191-508-0 · 📠 +49-4191-508-209

contact@wiska.de · www.wiska.com



Your Contact:
WISKA Hoppmann GmbH
Kisdorfer Weg 28 · 24568 Kaltenkirchen · Germany
☎ +49-4191-508-0 · 📠 +49-4191-508-209
contact@wiska.de · www.wiska.com

Other technical data on request / subject to change without notice