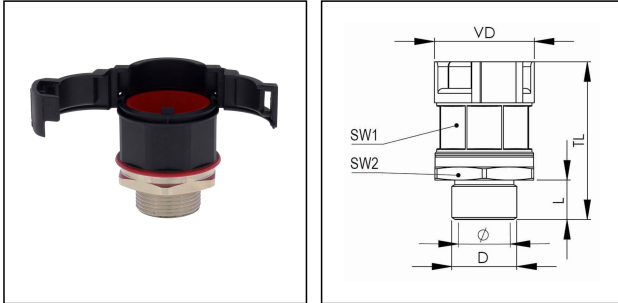


EMBFS-10-20-BK

Conduit fitting, straight, plastic/brass nickel-plated, RAL 9005, NW 10 / M20



Products may differ in size, colour and appearance to those shown. If you require further information or customisation, please contact us directly.



BRACE



Material Conduit fitting	polyamide UL94-V0
Material Connection thread	Brass nickel-plated
Material sealing gasket	TPU
Protection class	IP68, IP66
Temp. range min	-40 °C
Temp. range max	100 °C
Operational areas	EN 45545 - Railway
NW	10
Thread type	M
Ø Connection thread D	20
Lead	1,5
Length screw-in thread L	12 mm
Ø closure VD	24,8 mm
Ø inside	7 mm
Key width SW1	20 mm
Key width SW2	22 mm
Total length TL	46,8 mm
Type of conduit fitting	straight
UL 1696	Yes
Product Color	RAL 9005
Type	EMBFS-10-20-BK
Order no. RAL 7031	10106895
Packing unit	50
EAN number	4007686033816
Tariff number	74122000

Your Contact:

WISKA Hoppmann GmbH

Kisdorfer Weg 28 · 24568 Kaltenkirchen · Germany

☎ +49-4191-508-0 · 📠 +49-4191-508-209

contact@wiska.de · www.wiska.com

ETIM-Classification

EC001176

Remarks:

UL approval only in conjunction with UL approved corrugated conduits

Recommended accessories

EMMU 20	10063143
BCA-S-10-BK	10107072
BCAV-S-10-BK	10107087
BCIV-S-10-BK	10107104
BCA-10-D-BK	10107120
BCAV-10-D-BK	10107134
BCAB-L-10-BK	10109182
BCAV-H-10-BK	10109200
BCIB-H-10-BK	10109221

12.05.2026

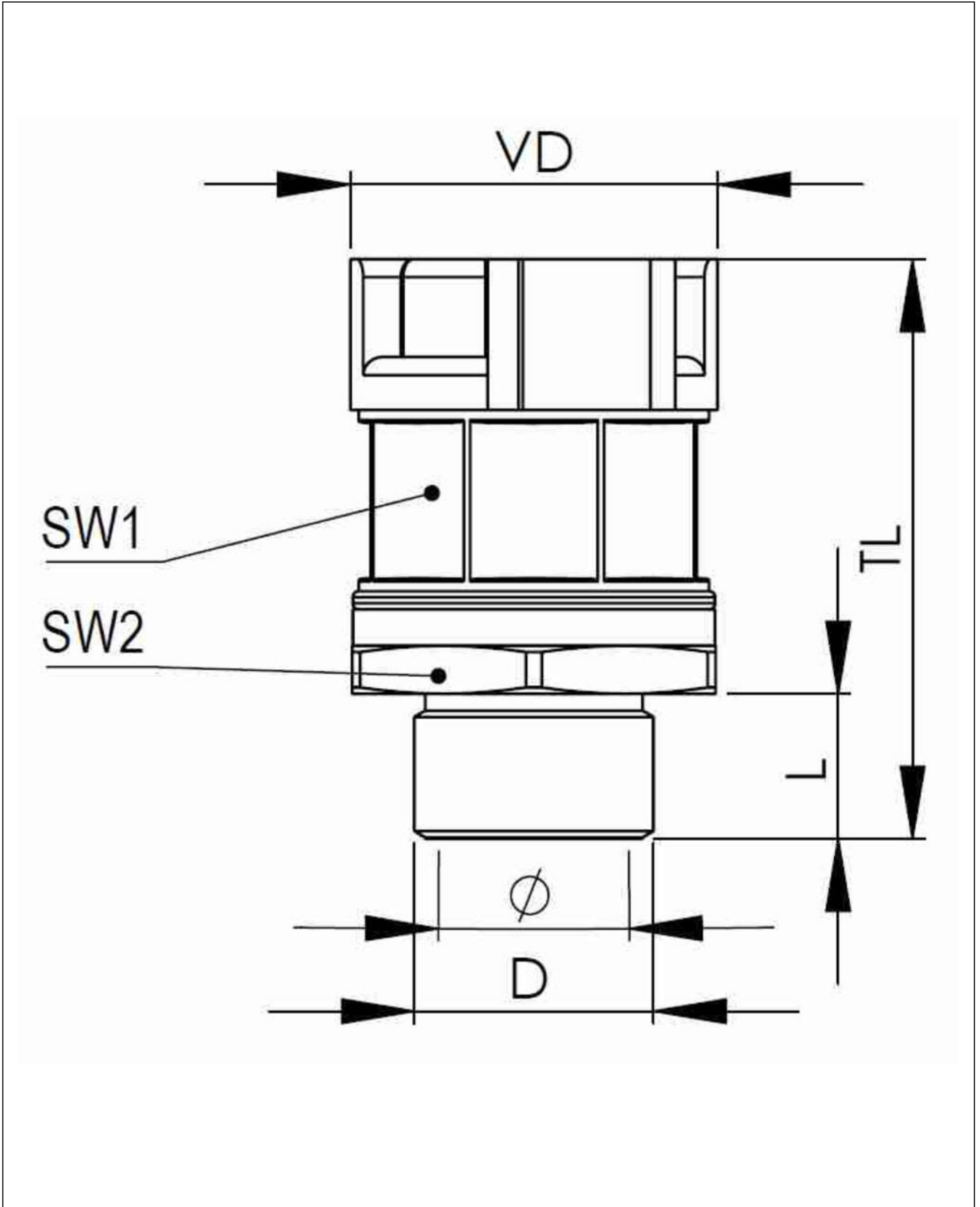
Your Contact:

WISKA Hoppmann GmbH

Kisdorfer Weg 28 · 24568 Kaltenkirchen · Germany

☎ +49-4191-508-0 · 📠 +49-4191-508-209

contact@wiska.de · www.wiska.com



Your Contact:

WISKA Hoppmann GmbH

Kisdorfer Weg 28 · 24568 Kaltenkirchen · Germany

☎ +49-4191-508-0 · 📠 +49-4191-508-209

contact@wiska.de · www.wiska.com