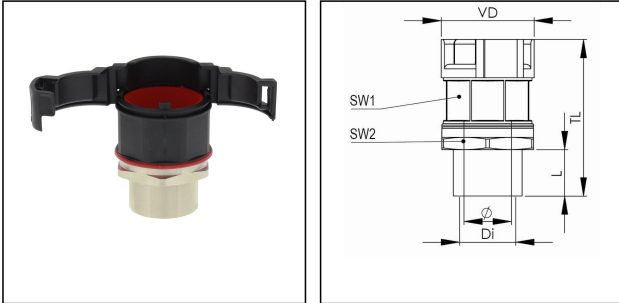


EMBFSI-29-32-BK

Conduit fitting, internal thread, plastic/brass nickel-plated, RAL 9005, NW29



Products may differ in size, colour and appearance to those shown. If you require further information or customisation, please contact us directly.



Material Conduit fitting	polyamide UL94-V0
Material Connection thread	Brass nickel-plated
Material sealing gasket	TPU
Protection class	IP68, IP66
Temp. range min	-40 °C
Temp. range max	100 °C
Operational areas	EN 45545 - Railway
NW	29
Thread type	M
Ø Connection thread D	32
Lead	1,5
Length screw-in thread L	13 mm
Ø closure VD	46,7 mm
Ø inside	26 mm
Key width SW1	41 mm
Key width SW2	46 mm
Total length TL	61,1 mm
Type of conduit fitting	straight
UL 1696	Yes
Product Color	RAL 9005
Type	EMBFSI-29-32-BK
Order no. RAL 9005	10106927
Packing unit	25
EAN number	4007686034424
Tariff number	74122000

Your Contact:

WISKA Hoppmann GmbH

Kisdorfer Weg 28 · 24568 Kaltenkirchen · Germany

☎ +49-4191-508-0 · 📠 +49-4191-508-209

contact@wiska.de · www.wiska.com

ETIM-Classification

EC001176

Remarks:

UL approval only in conjunction with UL approved corrugated conduits

Recommended accessories

BCA-S-29-BK	10107077
BCAV-S-29-BK	10107092
BCIV-S-29-BK	10107109
BCA-29-D-BK	10107124
BCAV-29-D-BK	10107138
BCAB-L-29-BK	10109187
BCAV-H-29-BK	10109204
BCIB-H-29-BK	10109226

26.06.2026

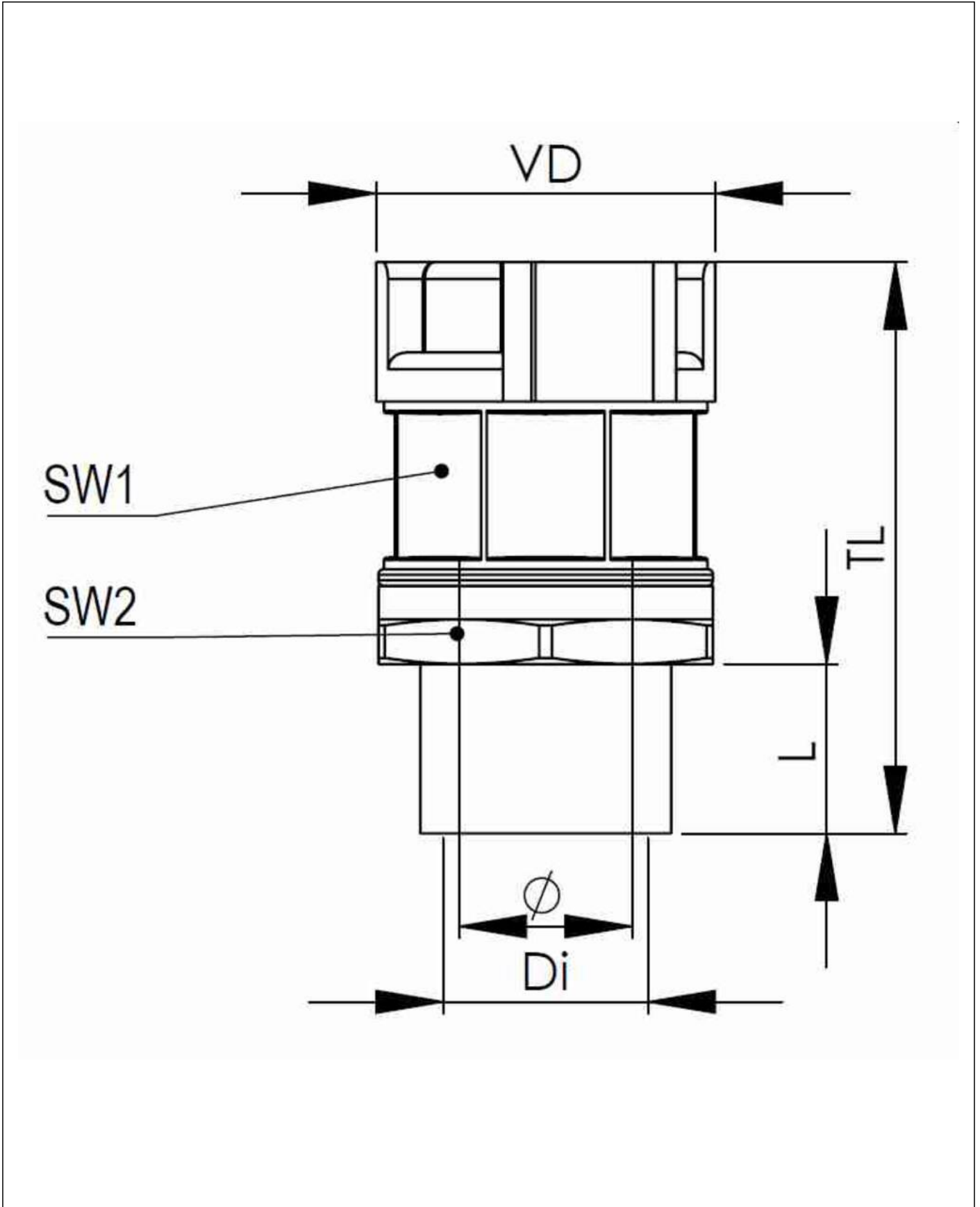
Your Contact:

WISKA Hoppmann GmbH

Kisdorfer Weg 28 · 24568 Kaltenkirchen · Germany

☎ +49-4191-508-0 · 📠 +49-4191-508-209

contact@wiska.de · www.wiska.com



Your Contact:

WISKA Hoppmann GmbH

Kisdorfer Weg 28 · 24568 Kaltenkirchen · Germany

☎ +49-4191-508-0 · 📠 +49-4191-508-209

contact@wiska.de · www.wiska.com